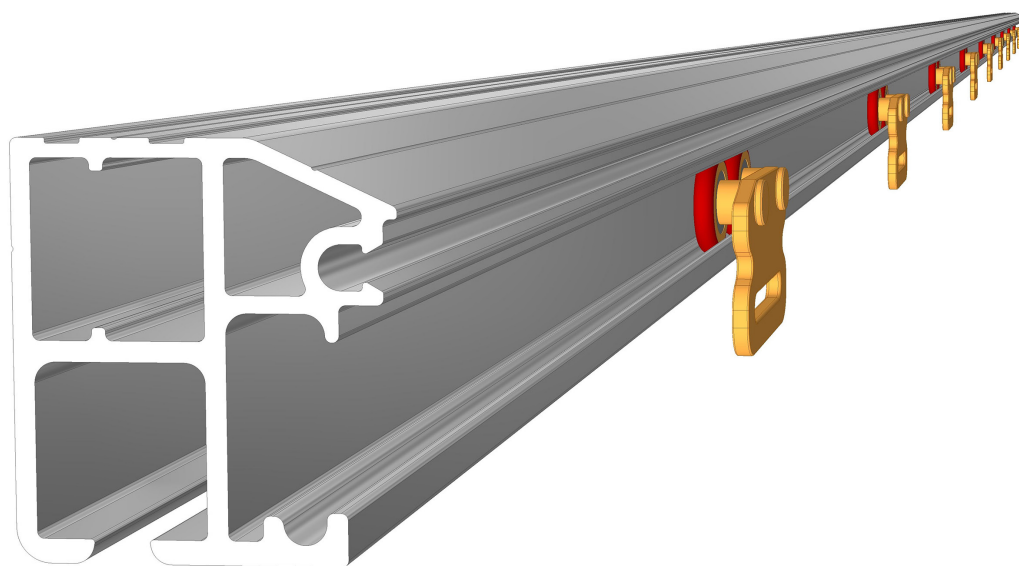


FIXED ROOF  
**FIXO-S**



## CONTENTS:

<b>1. INSTRUCTIONS ON USE AND CONDITIONS OF OPERATION OF A PLATFORM CAR SUPERSTRUCTURE</b> .....	3
<b>2. GUIDE PROFILE FIXO-S</b> .....	5
<b>3. ALUMINIUM CORNER COLUMNS - OVERVIEW</b> .....	7
3.1. Aluminium corner columns LIGHT	
3.1.1. Drawings, layout of the columns, assembly sets for the frame	
3.1.2. Columns LIGHT assembly scheme	
<b>4. CENTRAL TILTABLE COLUMNS</b> .....	9
4.1. Al central light columns Al	
4.1.1. Light central column - parts assembly	
4.1.2. Light central column - installation	
4.1.3. Al light central column - piece list	
<b>5. DESIGN WITH SIDEWALLS</b> .....	15
<b>6. ASSEMBLY SETS FIXO-S</b> .....	16
6.1. Assembly sets FIXO-S for Al columns LIGHT	
6.1.1. Assembly sets - assembly nodes	
6.1.2. Assembly sets - piece list	
<b>7. FIXED ROOF FIXO-S</b> .....	18
7.1. Roof parts	
7.2. Bracing of the front face - fixed roof	
7.3. Tube roof FIXO	
7.4. Rear portal without gate	
<b>9.</b> .....	23
9.1. Stretching of the canvas, parts assembly	
9.2. Stretching mechanisms	
<b>10. CALCULATION - BASIC DIMENSIONS FOR THE ROOF FIXO</b> .....	26
<b>11. OVERVIEW OF PARTS OF A PLATFORM CAT CANVAS SUPERSTRUCTURE</b> .....	27
11.1. Platform components	
11.2. Components for the canvas structure	

## **1. Instructions for use and conditions for operation of a platform car superstructure with fixed roof and side folding**

### **1 1. Superstructure description**

The platform car superstructure is designed for road traffic vehicles. Its construction and use shall follow the applicable regulations, particularly Act no. 56/2001 Coll. on conditions of operation of vehicles on roads, and Decree no. 341/2014 Coll. of approving of technical capability and technical conditions of operation of vehicles on roads. It can only be operated by persons knowing these regulations and instructed properly about operation of a platform car superstructure.

Platform car superstructures are designed particularly for transport of piece loads, above all piece load, on the platform car loading area. The load shall be laid out on the loading area evenly to prevent overloading of any part of the loading area, and secured so that it cannot be displaced or overturned during its transport. Therefore the superstructure is equipped with anchoring lugs in the aluminium frame of the platform car for fixing of the load. The load is fixed to these anchoring lugs by clamping straps. Location and number of the anchoring lugs is determined by the superstructure manufacturer, based on the applicable regulations.

#### *Attention!*

*Weight of the load shall not exceed the permitted loading specified in the vehicle technical certificate. Driving with non-anchored load may cause damage to the superstructure.*

The superstructure is equipped with tiltable sidewalls and tiltable rear face to facilitate loading and unloading. The sidewalls are fixed to the corner or central columns by closures. A check of proper closing of the sidewalls and rear face shall always be made before the journey, to prevent any spontaneous opening of the sidewalls during the journey.

#### *Attention!*

*Drive with sidewalls or rear face tilted down is forbidden. In case it is necessary to drive with sidewalls or rear face tilted down, it is possible if these are open and slid out of their hinges.*

In case of incorrect use of the structure the supplier of parts for platform car superstructures cannot be responsible for any possible damages caused by non-observance of the applicable regulations.

### **Any warranty for this superstructure becomes void in case of incorrect use of the platform car superstructure.**

### **2 2. Maintenance of the platform car superstructure**

The platform car superstructure does not require any special maintenance. It is important to keep the superstructure clean, wash it by pressure water, particularly during winter season, when chemicals are used on roads and that may impair functionality of the sidewall hinges and locks and cause corrosion of the galvanised components if these are left dirty for a long time.

#### *Attention!*

*Hinges of the sidewalls and their closures shall be treated regularly using preservative lubricants. Closures of the central columns shall be treated regularly using preservative lubricants.*

#### *Attention!*

*Due to the fact that all bolted joints of the aluminium platform (clamps PALCOM) are secured by an adhesive against any spontaneous release of the bolts, it is forbidden to retighten these joints during operation. This might cause release of these joints leading to damage of the supporting parts of the superstructure.*

In case of a fault on the supporting parts contact please an authorised service centre or a company that assembled the platform car superstructure. The particular company can repair the superstructure professionally using properly specified spare parts.

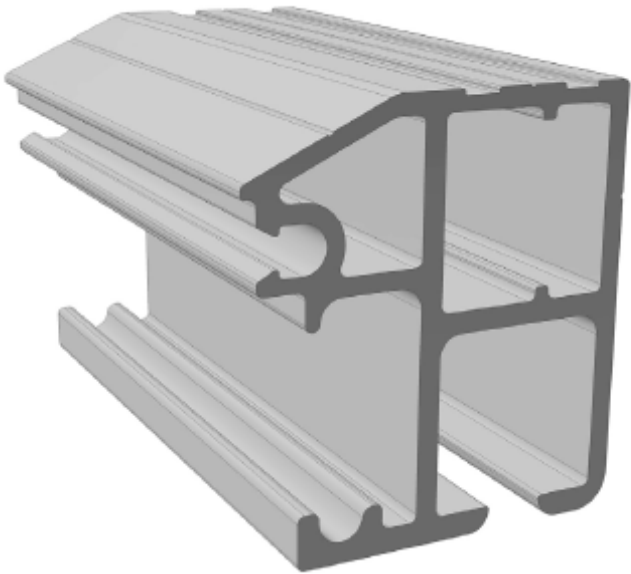
## **Maintenance of the platform car superstructure**

The platform car superstructure consists of a set of components prepared always for the given dimension and design, according to the customer's requirement. The aluminium platform consists of auxiliary profiles, crosspieces and frame profiles connected together by special clamps. The frame profiles are connected in corners and possibly also under central column using special corner and central elements. Such assembled platform forms the platform car structure. This structure consists of corner and central columns that are also supporting components of the roof structure. Sidewalls of aluminium profiles thick 25mm with closures are fixed to the frame using hinges that enable tilting of the sidewalls and face down and their detachment. The sidewalls and rear face are manufactured mostly of one-piece profiles 400mm high. Upon customer's requirements, we can also deliver sidewalls with different heights, e.g. 500 or 600mm. The front face can be delivered with different heights, according to the customer's requirement. All profiles 100x25mm as supports of the canvas are used on sides of the superstructure, between the columns.

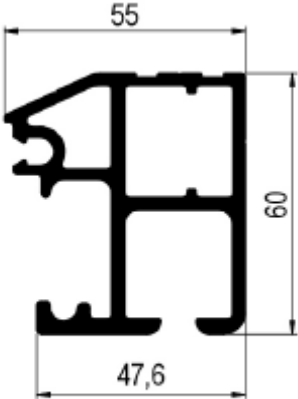
The number of profiles can be chosen by the customer.

The roof structure consists of a frame assembled of aluminium profiles 60x30x2mm, fixed to aluminium corner columns using corner assembly sets. Steel brackets with rubber inserts are riveted to this frame; aluminium tubes  $\varnothing$  35mm for supporting of the roof canvas are located in these brackets. The canvas is not included in delivery of the company TRANS-TECHNIK.



2. GUIDE PROFILE FIXO-S



Weight: 2.22 kg/m

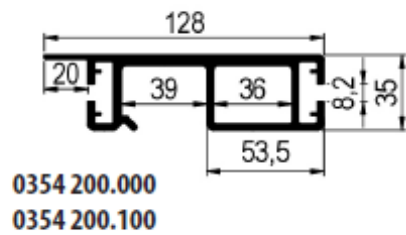
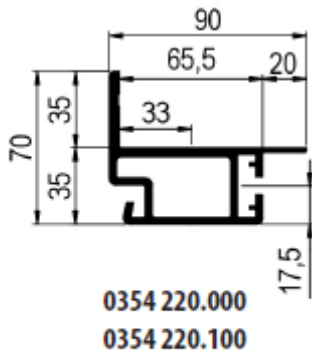
TT-no.	Sketch	Produced lengths of the guide profile
0537 021.050	 <p>A 2D technical sketch of the cross-section of the GUIDE PROFILE FIXO-S. The sketch shows the profile's outline with three dimension lines: a horizontal line at the top indicating a width of 55, a vertical line on the right indicating a height of 60, and a horizontal line at the bottom indicating a width of 47,6. The profile has a complex shape with multiple channels and a central vertical divider.</p>	L = 5.0 m

### 3. ALUMINIUM CORNER COLUMNS - OVERVIEW OF COLUMNS USED FOR PFIXED ROOF FIXO

Description	TT-no. Al natural/anodized	Sketch	Length mm	Weight
AL CORNER COLUMNS, LIGHT	0354 220.000 0354 220.100			2.58 kg/m
	0354 200.000 0354 200.100			3.16 kg/m

**3. 1. Aluminium corner columns LIGHT**

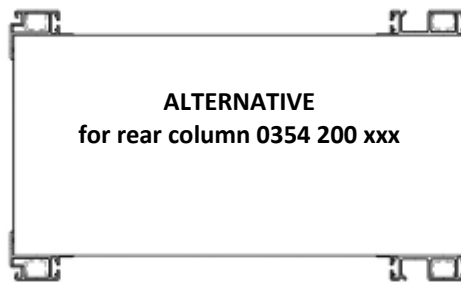
**3. 1. 1. Drawings, layout of the columns, assembly sets for the frame**



0354 220.000  
0354 220.100

0354 200.000  
0354 200.100

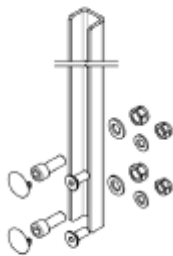
**LAYOUT OF THE COLUMNS**



**0354 200.200**

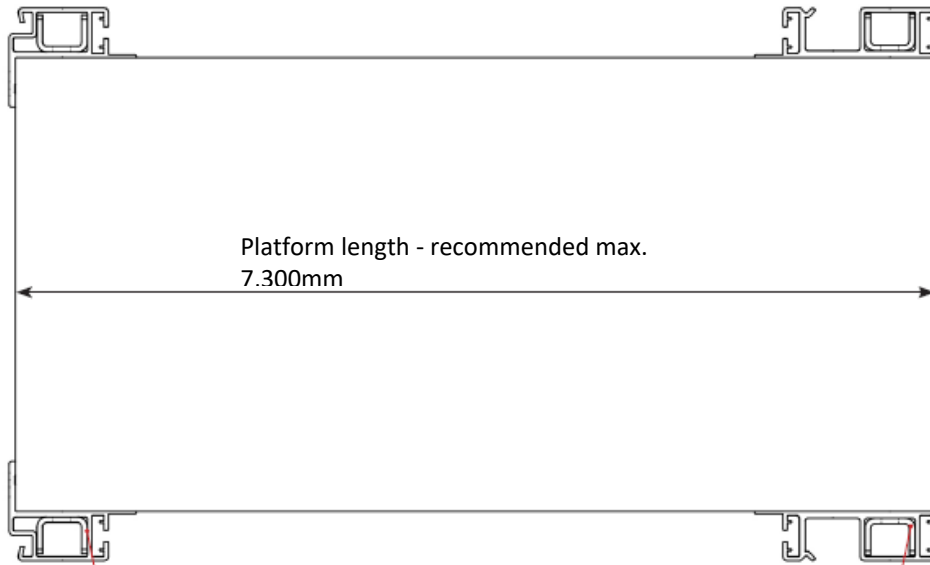
**The set includes:**

- 1 pc - stiffener U35 - 400
- 2 pc - bolt M12x30, cyl. head
- 2 pc - bolt M10x25, sunk head
- 2 pcs - hex. nut M12
- 2 pcs - hex. nut M10, self-lock.
- 2 pcs - washer 10.5, galvanised
- 2 pcs - washer 13, galvanised
- 2 pcs - blind caps 18.0-20

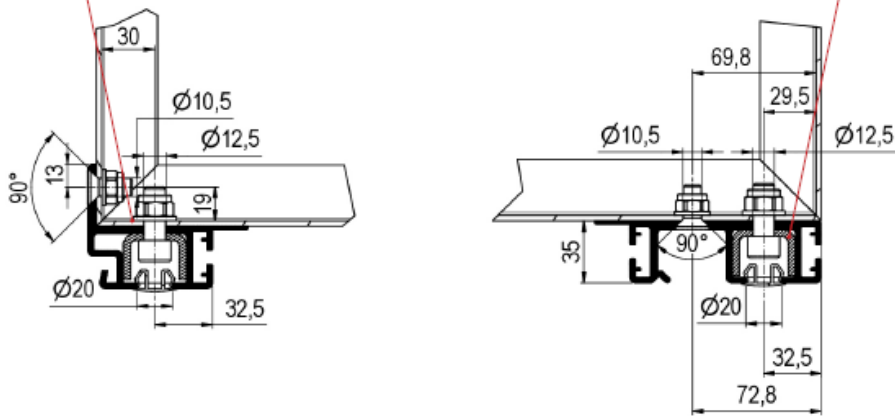


TT-no.	Description	Material	Length	Weight kg/m
0354 200.000	Rear column Al 128x35mm	Al natural		3.16
0354 200.100	Rear column Al 128x35mm	Al anodized		3.16
0354 220.000	Front column 90/70x35mm	Al natural		2.58
0354 220.100	Front column 90/70x35mm	Al anodized		2.58
				kg/pc
0354 200.200	Assembly set for the frame	galvanised steel		0.9

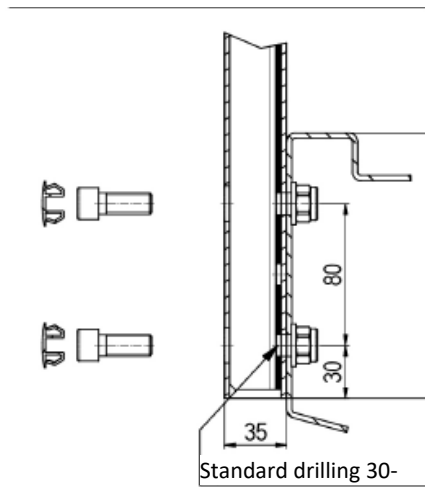
### 3.1.2. Aluminium corner columns LIGHT - columns assembly scheme



Fixing of LIGHT columns to the frame

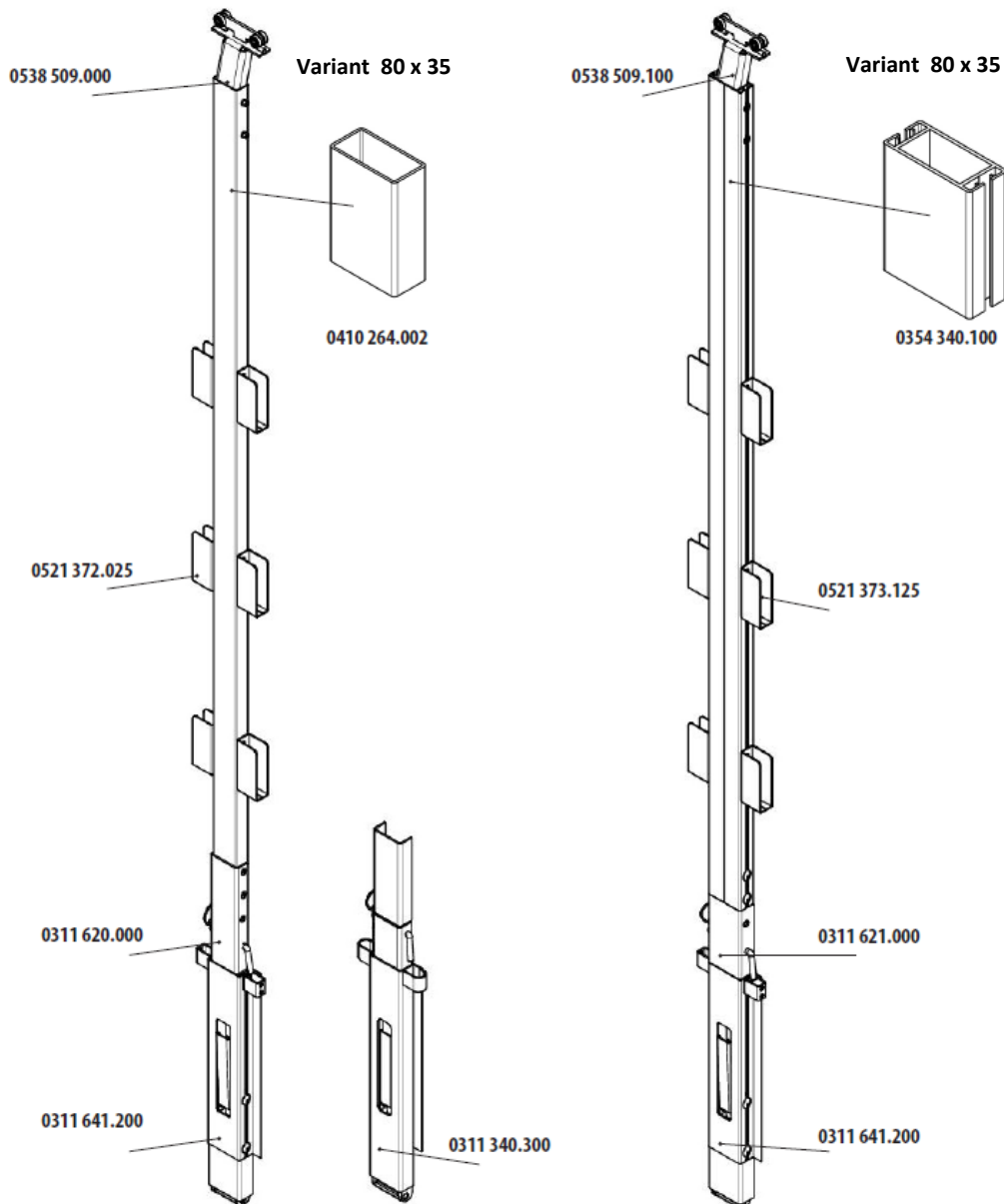


140 (150, 160) Recommended seating of columns



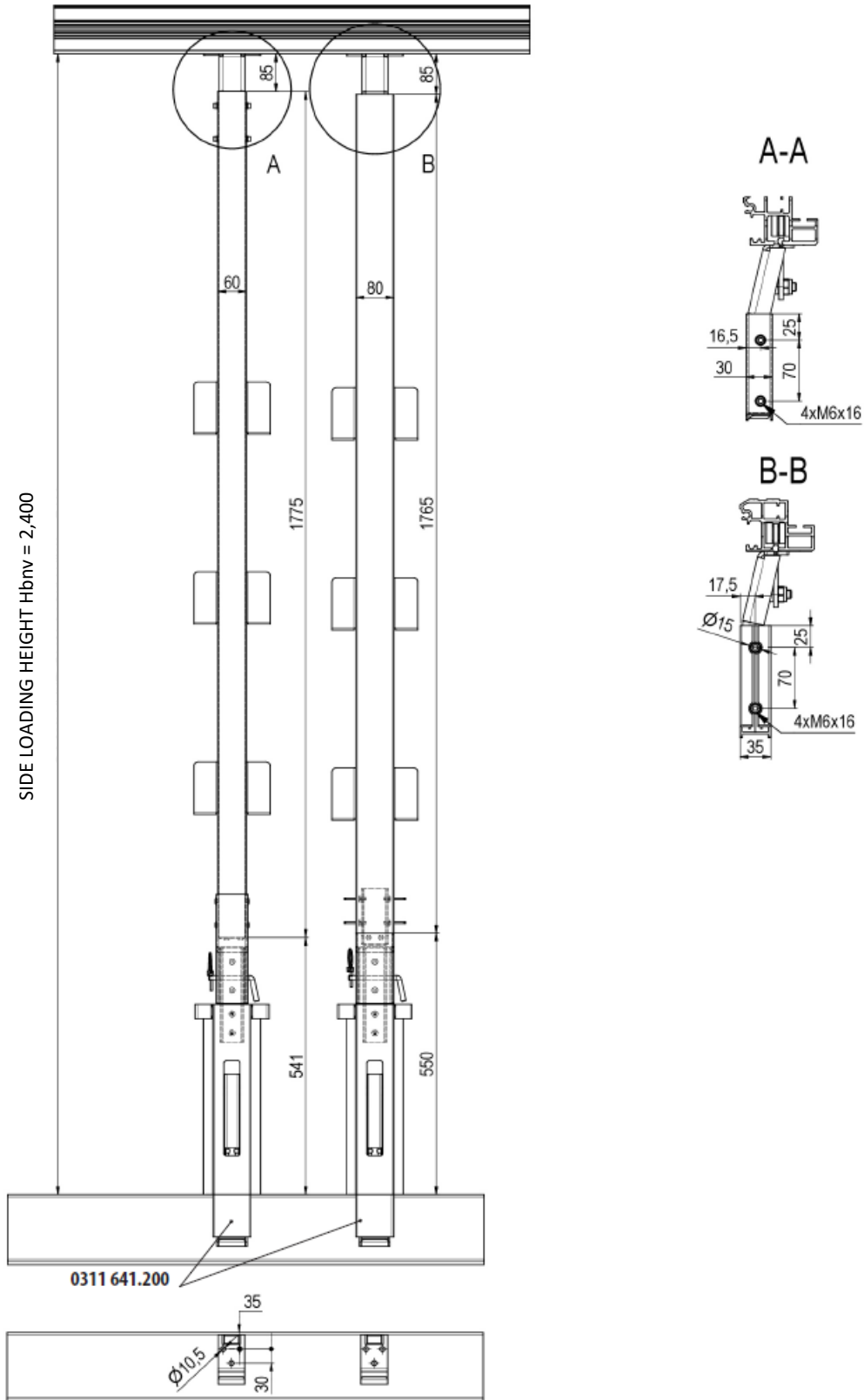


#### 4 1. Al light central column



TT-no.	Description	Material / surface	Weight kg/pc
0311 641.200	Central column 80x35, tiltable + pocket + lugs + connecting material	Al anodized	2.8
0311 340.300	Central column with rim, tiltable, with TOP 80x33, 400mm	galvanised steel	
0311 302.000	Assembly set - connecting material for tiltable columns 80x33 (for 2 columns)	galvanised steel	0.2
0538 509.000	Slider of the central column VERSUS MYCRO Trike for 60x35mm	galvanised steel	2.04
0538 509.100	Slider of the central column VERSUS MYCRO Trike for 80x35mm	galvanised steel	2.04
0311 620.000	Extension for column 80x35/60x30 and locking pin + connecting material	galvanised steel	1.6
0311 621.000	Extension for column 80x35/80x35 and locking pin + connecting material	galvanised steel	1.6
0354 340.100	Al column 80x35mm without rim, central, anodized	Al anodized	2.10 kg/m
0410 264.002	Al profile 60x30x2mm, R3	Al natural	0.91 kg/m
0521 372.025	Pocket for the canvas structure 25mm, riveting	galvanised steel	0.28
0521 373.125	Pocket for the canvas structure 25mm, screwing	galvanised steel	0.29

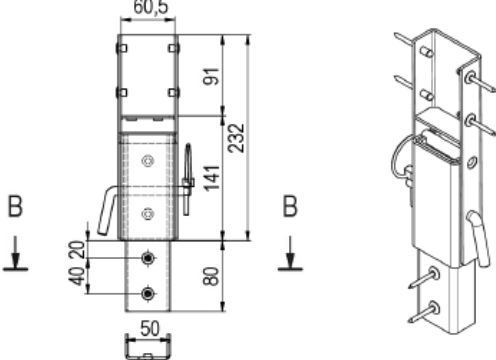
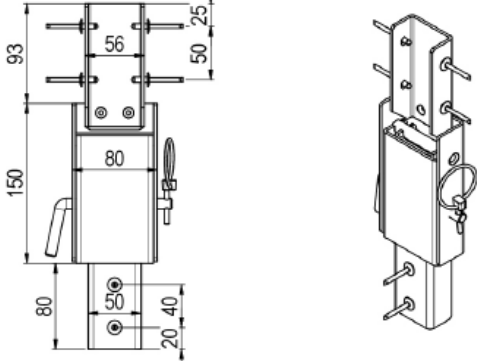
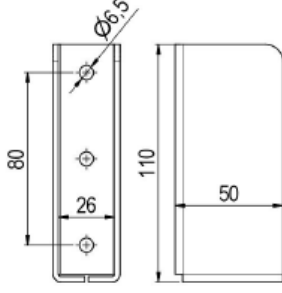
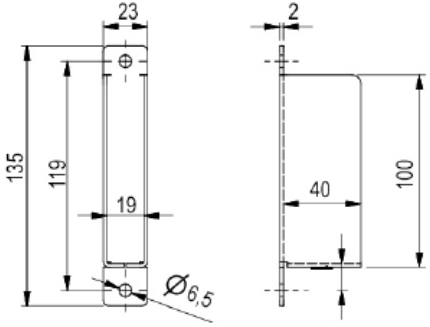
### 4.1.2. Al light central column - installation



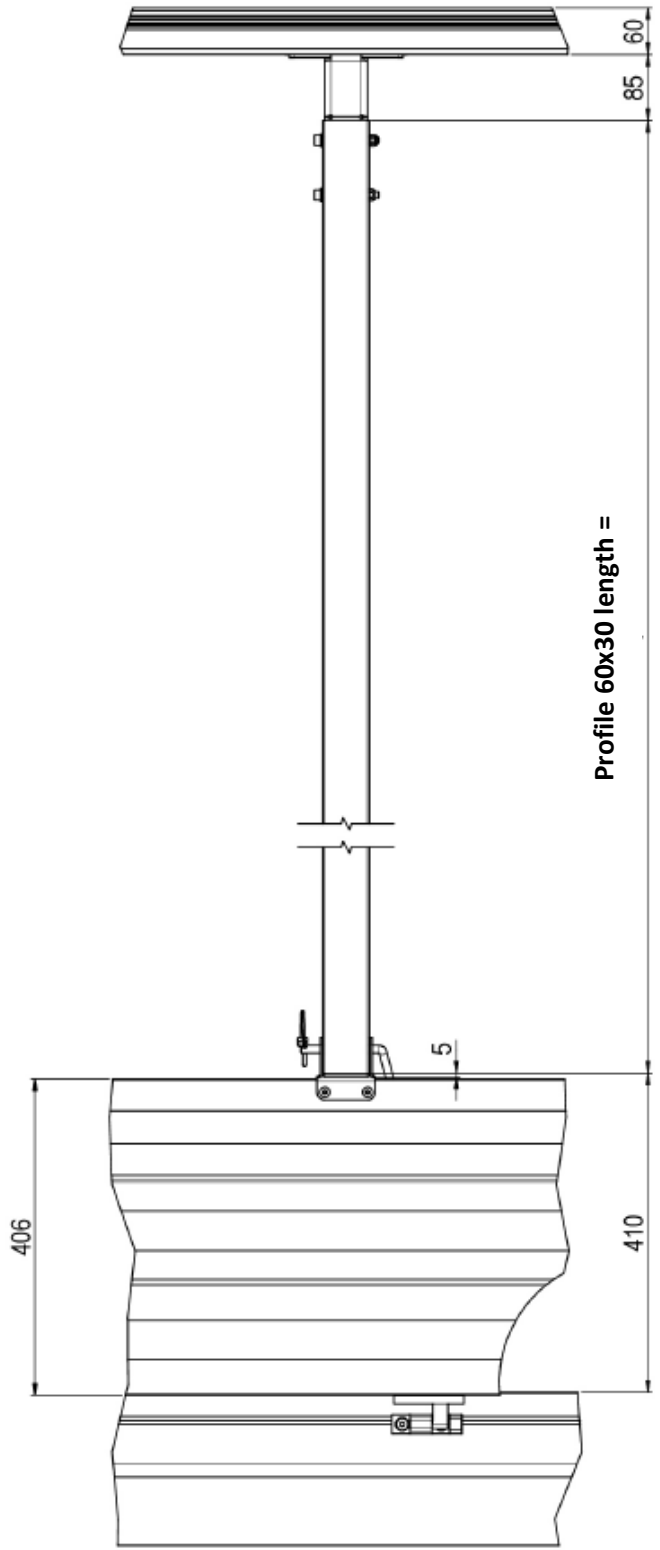
4.1.3. Al light central column - piece list

TT-no.	Description	Sketch
0311 641.200	Central column 80x35, tiltable + pocket + lugs + connecting material	
0311 302.000	Assembly set - connecting material for tiltable columns 80x35 (for 2 columns)	
0538 509.000 0538 509.100	Slider of the central V column for 60x35mm, for non-lifting roof  Slider of the central column for 80x35, for non-lifting roof	<p>0522 032.000 Guide wheel for the ND</p>
0354 340.000	Al column 80x35mm without rim, central Al natural	
0410 264.002	Al profile 60x30x2mm, R3	

4.1.3. Al light central column - piece list

TT-no.	Description	Sketch
<p><b>0311 620.000</b></p>	<p>Extension for column 80x35/60x30 and locking pin + connecting material Material: galvanised steel</p>	
<p><b>0311 621.000</b></p>	<p>Extension for column 80x35/80x35 and locking pin + connecting material Material: galvanised steel</p>	
<p><b>0521 372.025</b> <b>0521 373.125</b></p>	<p>Pocket for the canvas structure 25mm, riveting, 50x110mm Material: galvanised steel Pocket components: 2x peel mandrel rivet 6.4x12 St/St Pocket for the canvas structure 25mm, screwing, 50x110mm Material: galvanised steel Pocket components: 2x bolt M6 with round head</p>	
<p><b>0521 378.025</b> <b>0521 378.125</b></p>	<p>Pocket for the canvas structure 18mm, riveting, 50x100mm Material: galvanised steel Pocket components: 2x peel mandrel rivet 6.4x12 St/St  Pocket for the canvas structure 18mm, screwing, 50x100mm Material: galvanised steel Pocket components: 2x bolt M6 with round head</p>	

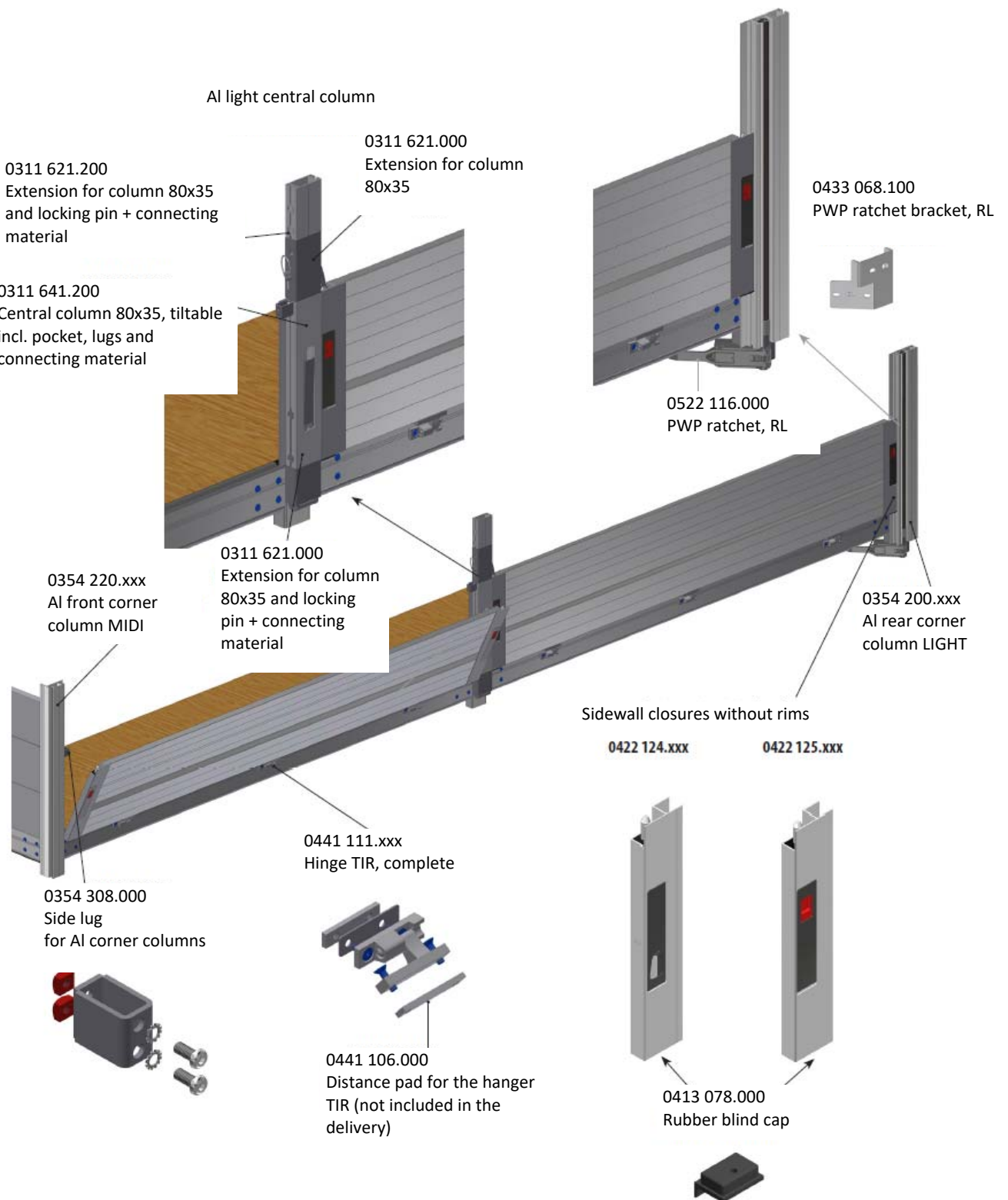
A (1:10)



TT-no.	Description	Sketch
<p><b>0311 622.100</b></p> <p>0311 622.101</p> <p>0311 316.000</p> <p>0871 401.000</p>	<p>Stand for sidewall for column 60x30x2, complete Material: galvanised steel</p> <p>Stand for sidewall Superstructure locking pin Locking pin with ring</p>	

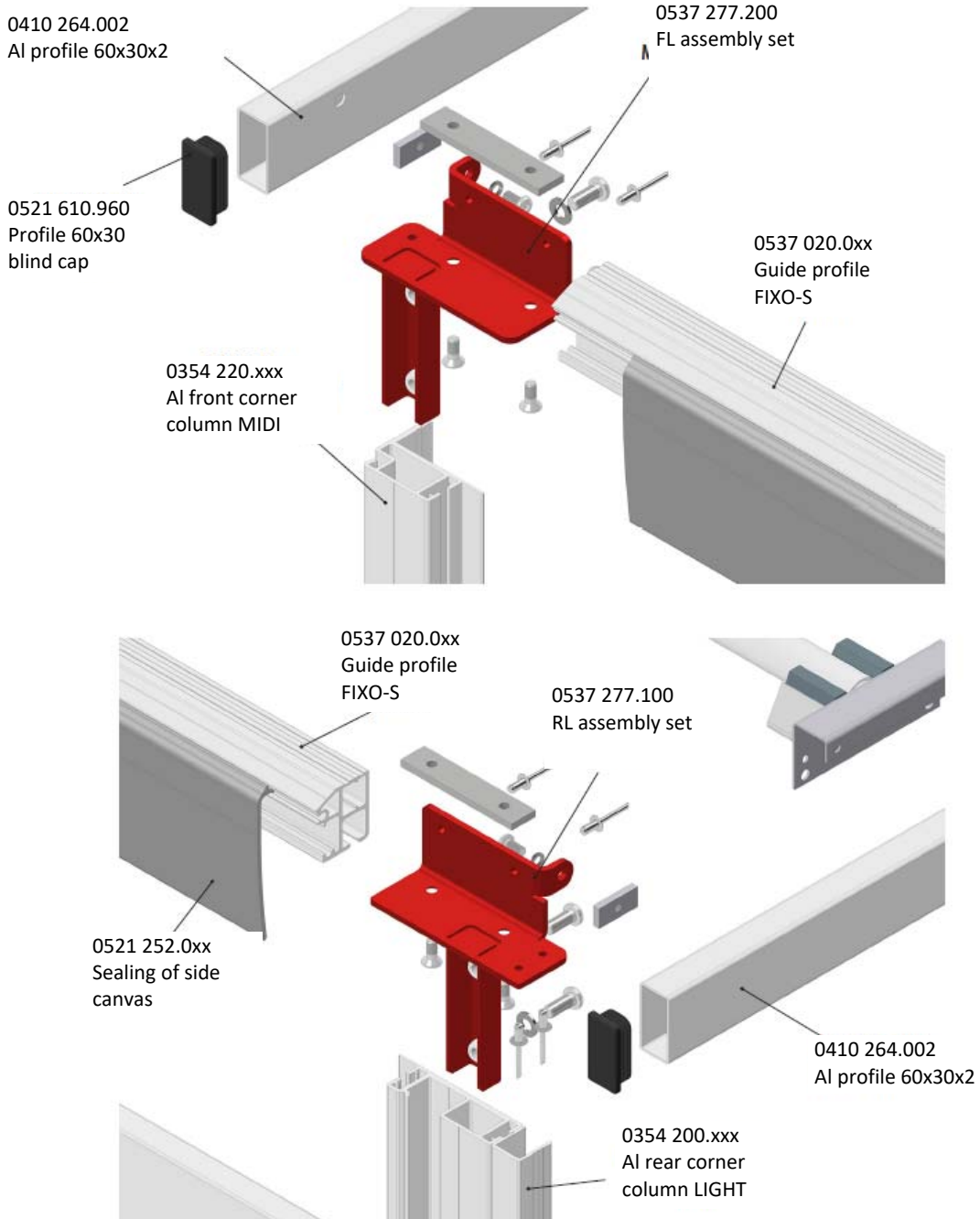


## 5. DESIGN WITH SIDEWALLS



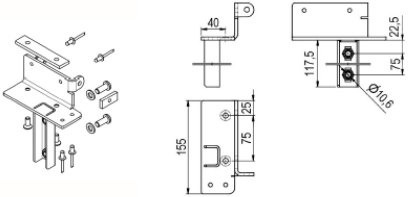
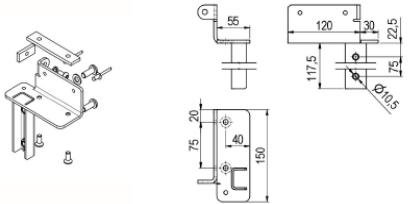
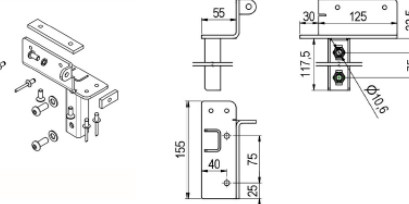
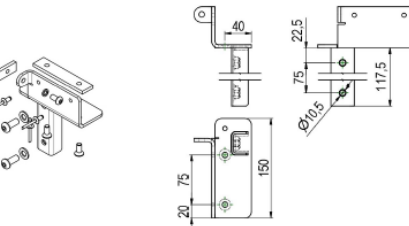
## 6 1. Assembly sets for guide profile FIXO-S for Al corner LIGHT columns

### 6.1.1. Assembly nodes




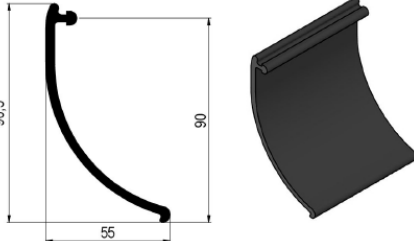
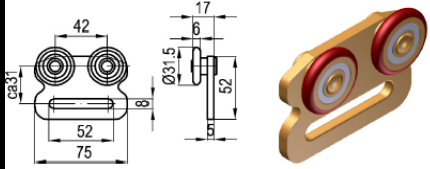


**6.1.2. Assembly sets for guide profile FIXO-S for AI corner LIGHT columns - piece list**

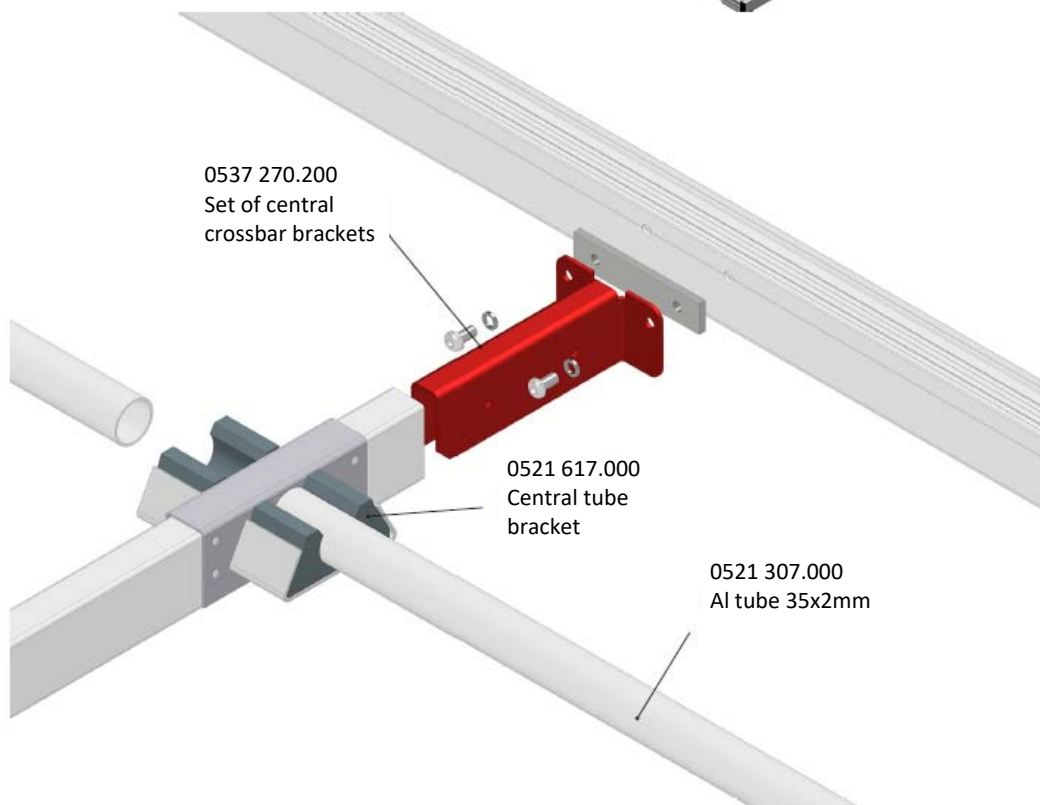
TT-no.	Description	Sketch
<p><b>0537 277.100</b>                      0537 277.101                      0512 050.200                      1904 108.020                      1905 110.025                      1961 110.000                      1905 108.016                      1962 108.000                      0811 017.100                      2111 464.122V</p>	<p><b>RL assembly set FIXO-S, LIGHT columns</b>                      The set includes:                      1 pc - RL assembly part FIXO-S, galvanised                      1 pc - threaded plate 24.5x6-105                      2 pcs - bolt M8x20, sunk head                      2 pcs - bolt M10x25, round head                      2 pcs - washer 10.5                      1 pc - bolt 8x16, round head                      1 pc - spring washer 8, galvanised                      1 pc - threaded plate 40x18x6                      4 pcs - peel mandrel rivet 6.4x12 St/St</p>	
<p><b>0537 277.200</b>                      0537 277.101                      0512 050.200                      1904 108.020                      1905 110.025                      1961 110.000                      1905 108.016                      1962 108.000                      0811 017.100                      2111 464.122V</p>	<p><b>FL assembly set FIXO-S, LIGHT columns</b>                      The set includes:                      1 pc - RL assembly part FIXO-S, galvanised                      1 pc - threaded plate 24.5x6-105                      2 pcs - bolt M8x20, sunk head                      2 pcs - bolt M10x25, round head                      2 pcs - washer 10.5                      1 pc - bolt 8x16, round head                      1 pc - spring washer 8, galvanised                      1 pc - threaded plate 40x18x6                      3 pcs - peel mandrel rivet 6.4x12 St/St</p>	
<p><b>0537 277.300</b>                      0537 277.101                      0512 050.200                      1904 108.020                      1905 110.025                      1961 110.000                      1905 108.016                      1962 108.000                      0811 017.100                      2111 464.122V</p>	<p><b>RR assembly set FIXO-S, LIGHT columns</b>                      The set includes:                      1 pc - RL assembly part FIXO-S, galvanised                      1 pc - threaded plate 24.5x6-105                      2 pcs - bolt M8x20, sunk head                      2 pcs - bolt M10x25, round head                      2 pcs - washer 10.5                      1 pc - bolt 8x16, round head                      1 pc - spring washer 8, galvanised                      1 pc - threaded plate 40x18x6                      4 pcs - peel mandrel rivet 6.4x12 St/St</p>	
<p><b>0537 277.400</b>                      0537 277.101                      0512 050.200                      1904 108.020                      1905 110.025                      1961 110.000                      1905 108.016                      1962 108.000                      0811 017.100                      2111 464.122V</p>	<p><b>FR assembly set FIXO-S, LIGHT columns</b>                      The set includes:                      1 pc - RL assembly part FIXO-S, galvanised                      1 pc - threaded plate 24.5x6-105                      2 pcs - bolt M8x20, sunk head                      2 pcs - bolt M10x25, round head                      2 pcs - washer 10.5                      1 pc - bolt 8x16, round head                      1 pc - spring washer 8, galvanised                      1 pc - threaded plate 40x18x6                      4 pcs - peel mandrel rivet 6.4x12 St/St</p>	

**7. FIXED ROOF FIXO-S**

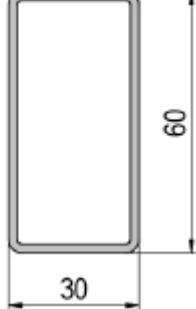
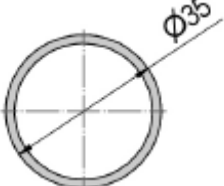
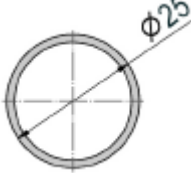
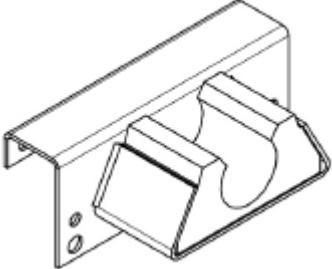
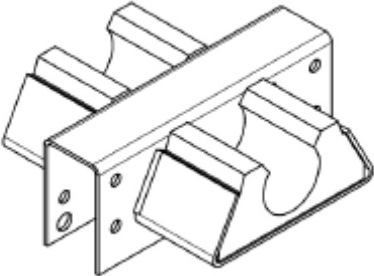
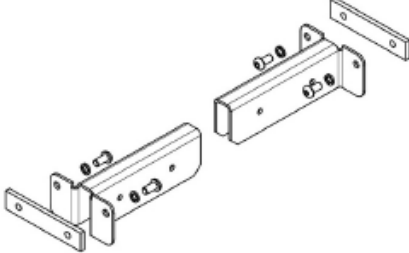
**7 1. Parts for fixed roof FIXO-S**

TT-no.	Description	Sketch
0537 021.050	Guide profile FIXO-S L = 5.0m	
0521 252.004 0521 252.007 0521 252.009	Sealing of side canvas L = 4.5m L = 7m L = 9m	
0522 047.000	Canvas guide wheel	

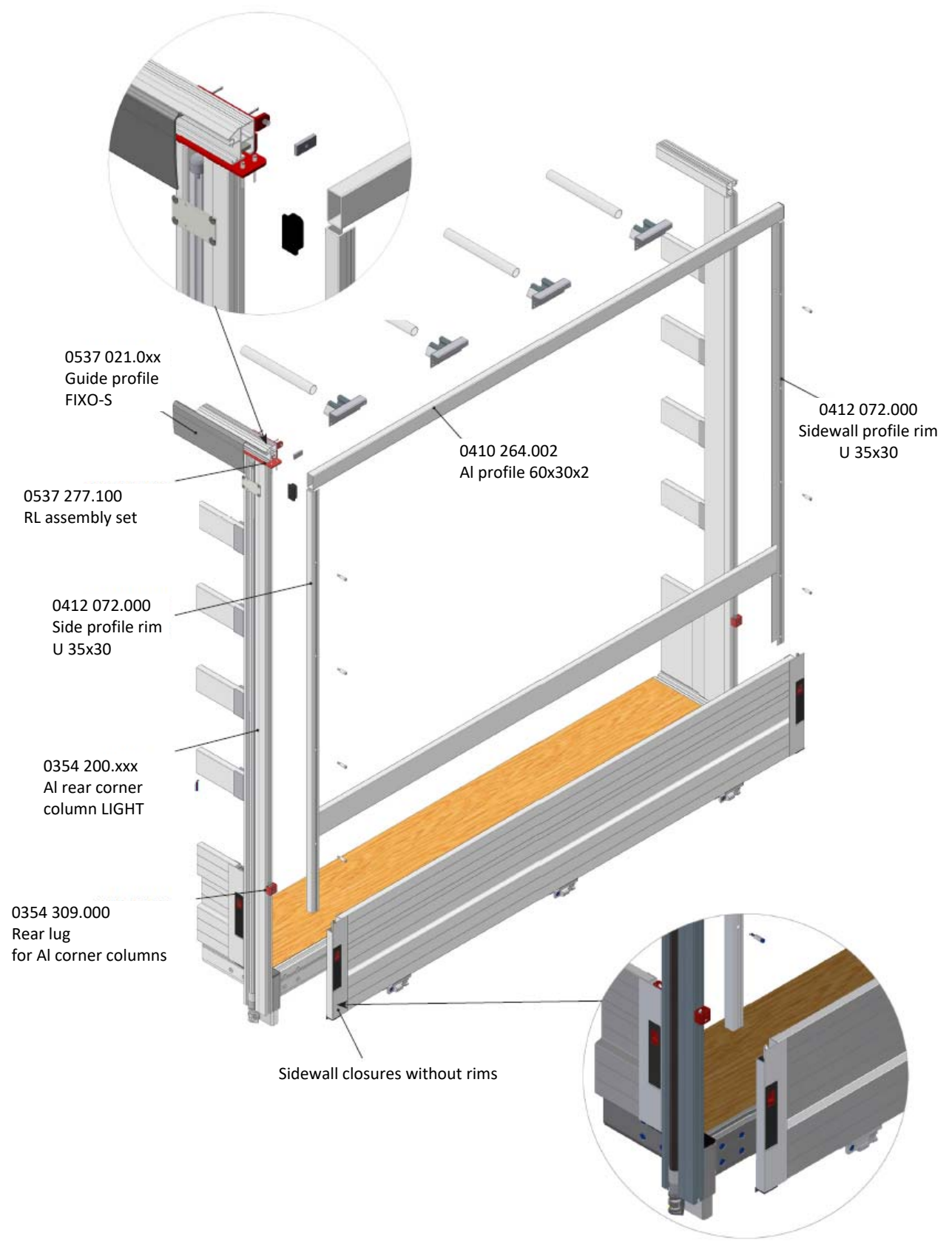
## 7 4. Tube roof FIXO-S



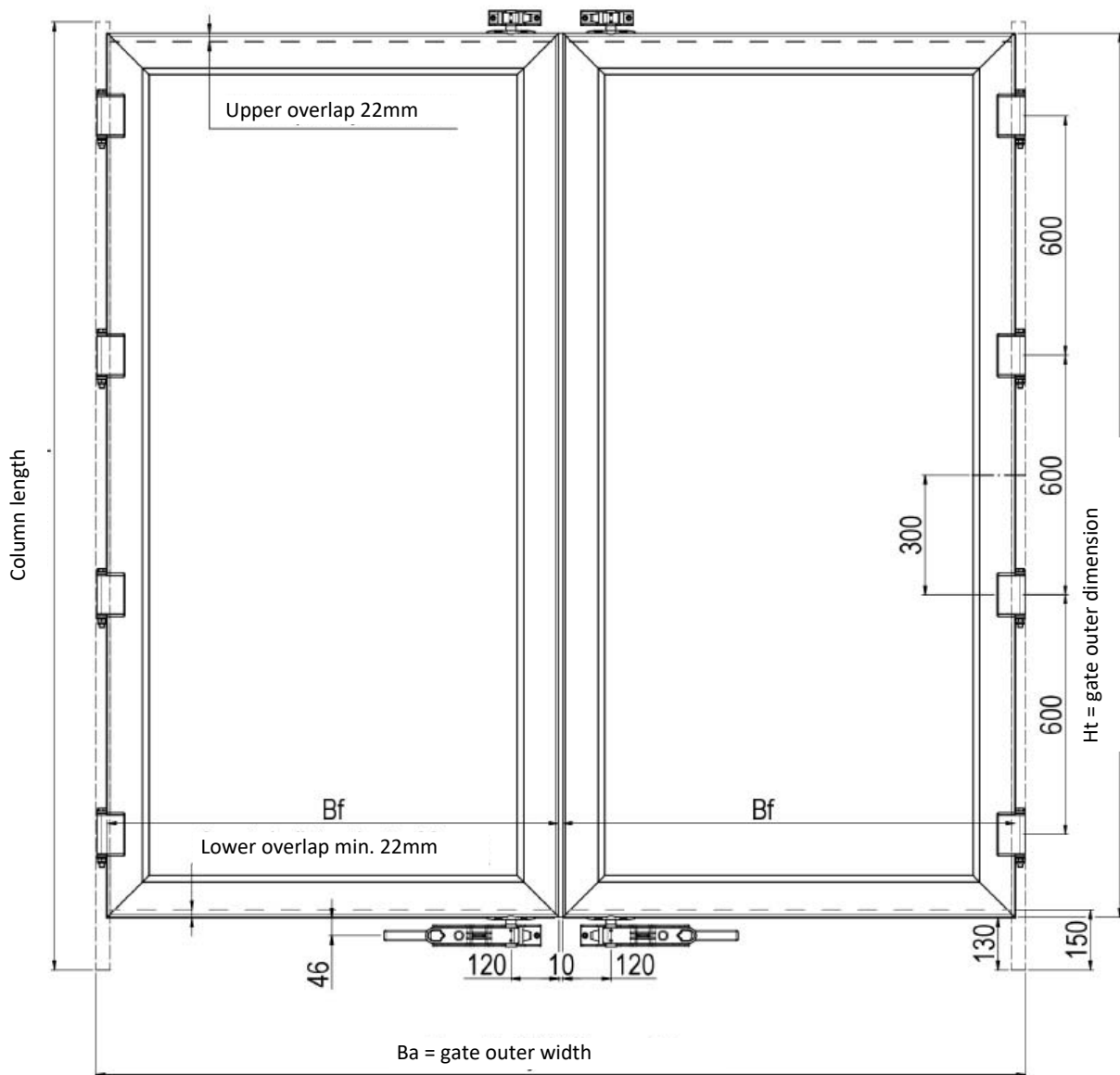
### 7.4.1. Parts for roof FIXO-S with tube

TT-no.	Description	Sketch
0410 264.002	Al profile 60x30x2mm	
0521 307.000	Al tube 35x2mm	
0521 308.000	Al tube 25x2.5mm	
0521 616.000 0521 302.000	Tube bracket, marginal part Rubber part for tubes $\varnothing$ 35mm	
0521 617.000 0521 302.000	Central tube bracket Rubber part for tubes $\varnothing$ 35mm	
0537 270.200	Set of central crossbar brackets	

### 7 5. Rear portal without gate

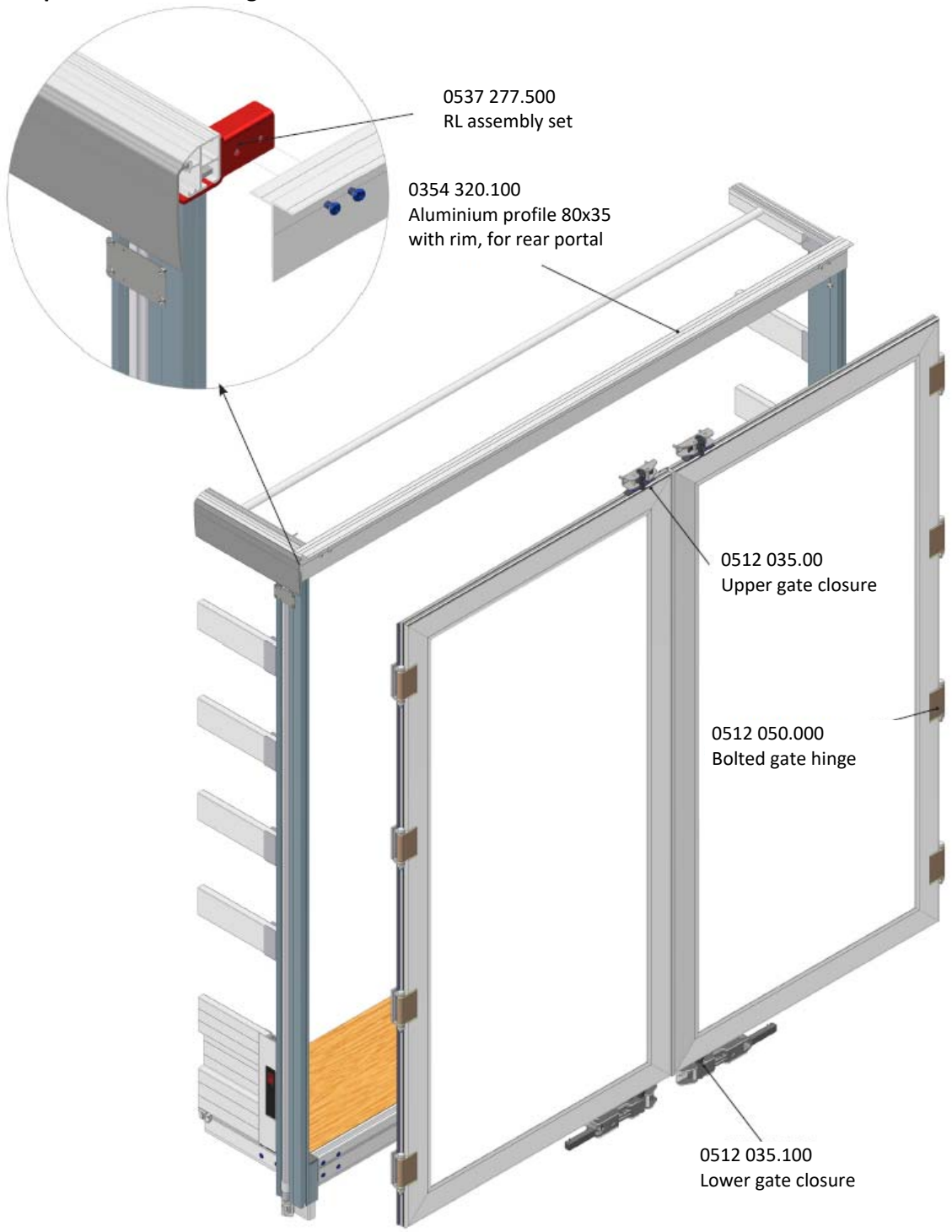


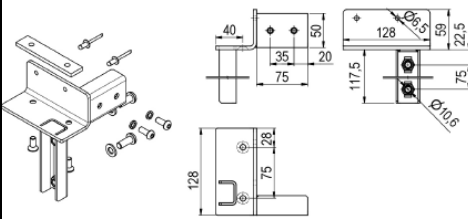
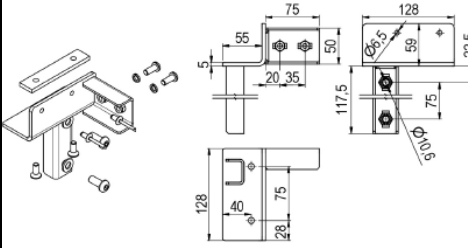
## 8 1. Double-leaf gate



Vehicle outer width  
 $B_a$  (2,550mm)

## 8 2. Rear portal - double leaf gate



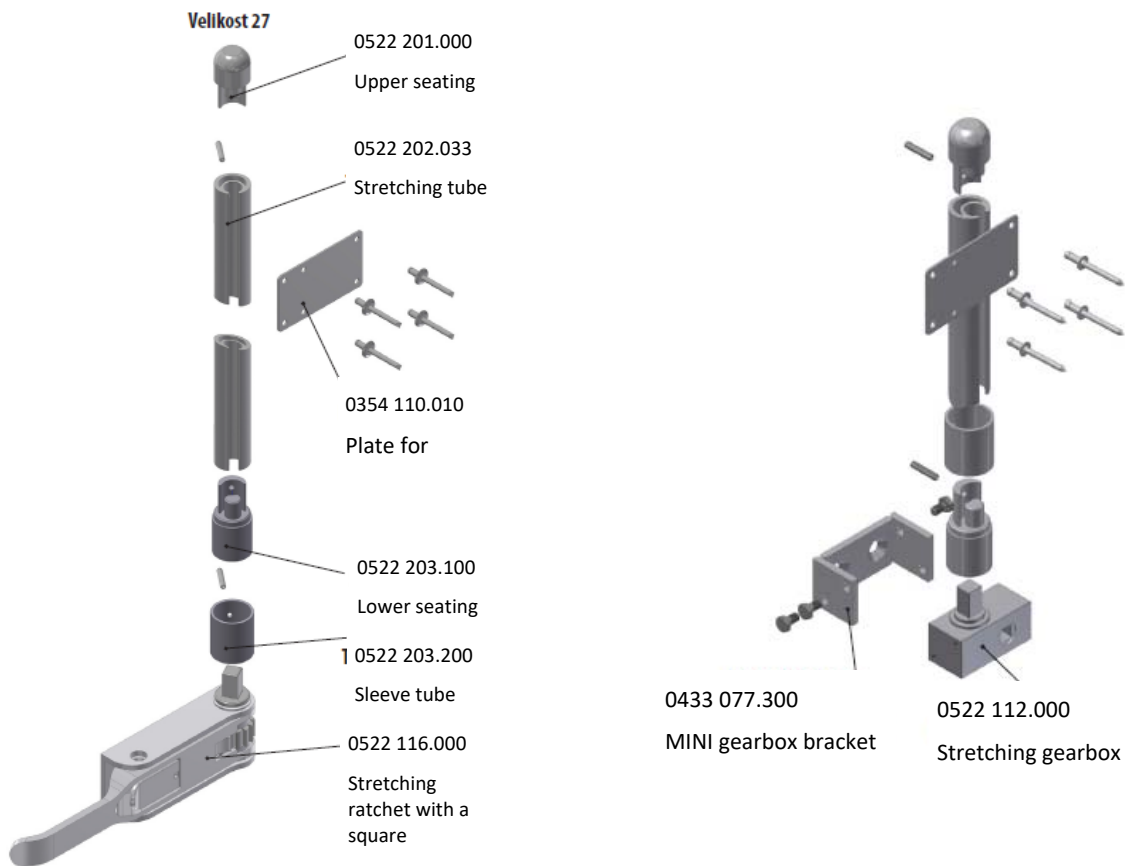
TT-no.	Description	Sketch
<p>0537 277.500  0537 277.501  0512 050.200  1904 108 020  1905 110.025  1961 110.000  1905 108.018  1962 108.000  2111 464.122</p>	<p>RL assembly set, LIGHT column FIXO-S gate  1 - Assembly part RL LIGHT column  1 - Threaded plate  2 - Bolt M8x20, sunk head  2 - Bolt M10x25, sunk head  2 - Washer 10.5  2 - Bolt M8x18, round head  2 - Washer 8  2 - Peel mandrel rivet 6.4x15</p>	
<p>0537 277.600  0537 277.501  0512 050.200  1904 108 020  1905 110.025  1961 110.000  1905 108.018  1962 108.000  2111 464.122</p>	<p>RR assembly set, LIGHT column FIXO-S gate  1 - Assembly part RR LIGHT column  1 - Threaded plate  2 - Bolt M8x20, sunk head  2 - Bolt M10x25, sunk head  2 - Washer 10.5  2 - Bolt M8x18, round head  2 - Washer 8  2 - Peel mandrel rivet 6.4x15</p>	



## 9. Stretching of the canvas

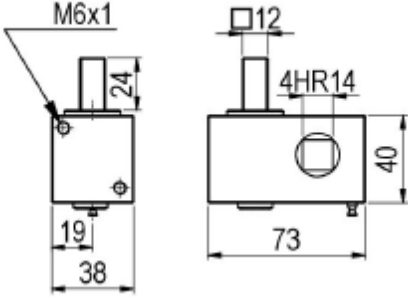
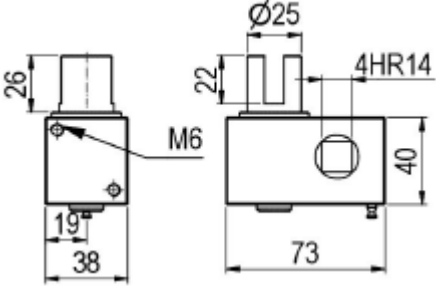
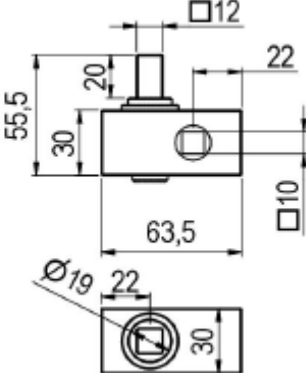
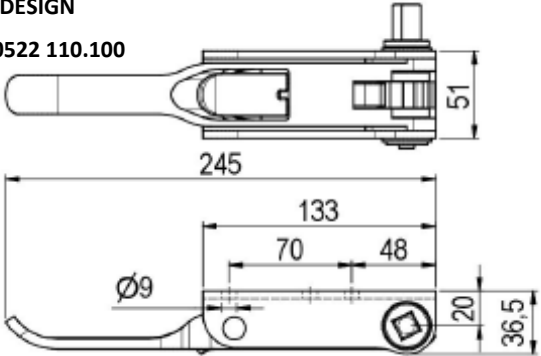
### 9 1. Stretching of the canvas, parts assembly

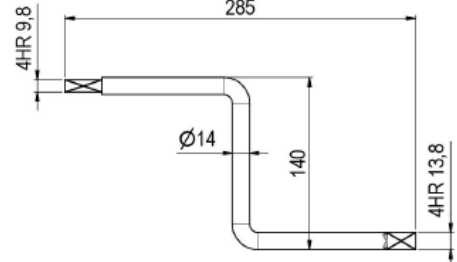
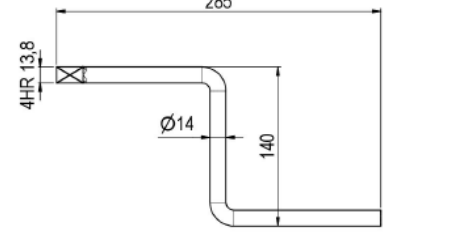
#### Size 27



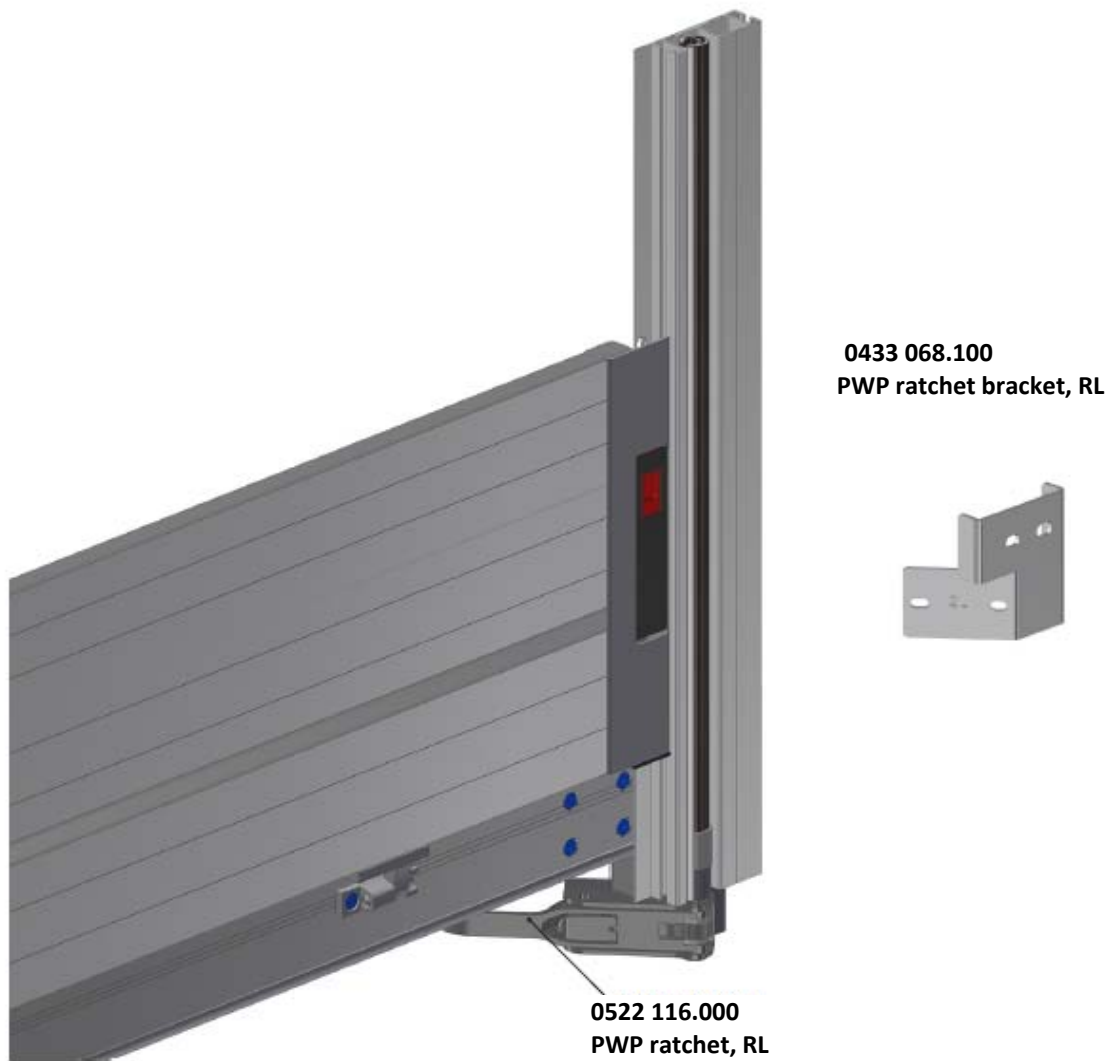
TT-no.	Stretching tube size	Description	Material	Weight
0522 201.000	27	CS - Upper seating 27	stainless steel	0.10 kg/pc
0522 202.033		CS - Stretching tube 27mm, L=3,300mm	Al natural	0.70 kg/m
0522 203.000		CS - Lower seating 27	brass	0.10 kg/pc
0522 203.100		CS - Lower seating 27 + pin	stainless steel	0.14 kg/pc
0522 203.200		Sleeve tube for lower seating	galvanised steel	0.10 kg/pc
0522 211.000	35	CS - Upper seating 35	brass	0.15 kg/pc
0522 212.033		CS - Stretching tube 35mm	Al natural	1.16 kg/m
0522 213.000		CS - Lower seating 35	brass	0.15 kg/pc
0522 213.100		CS - Lower seating 35	brass	0.15 kg/pc
0354 110.010		Plate for stretching	stainless steel	0.10 kg/pc

9 2. Stretching mechanisms

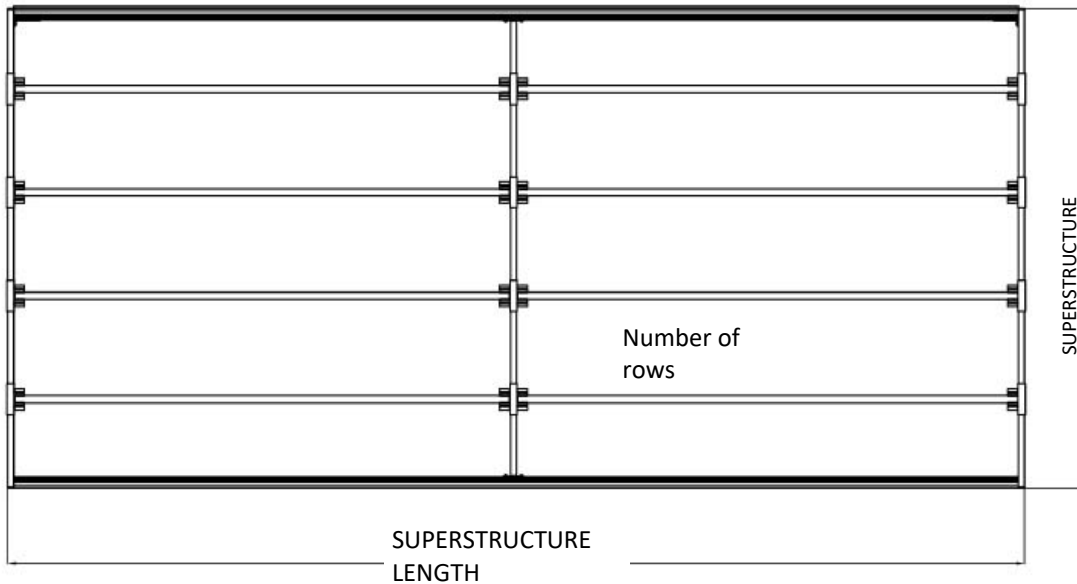
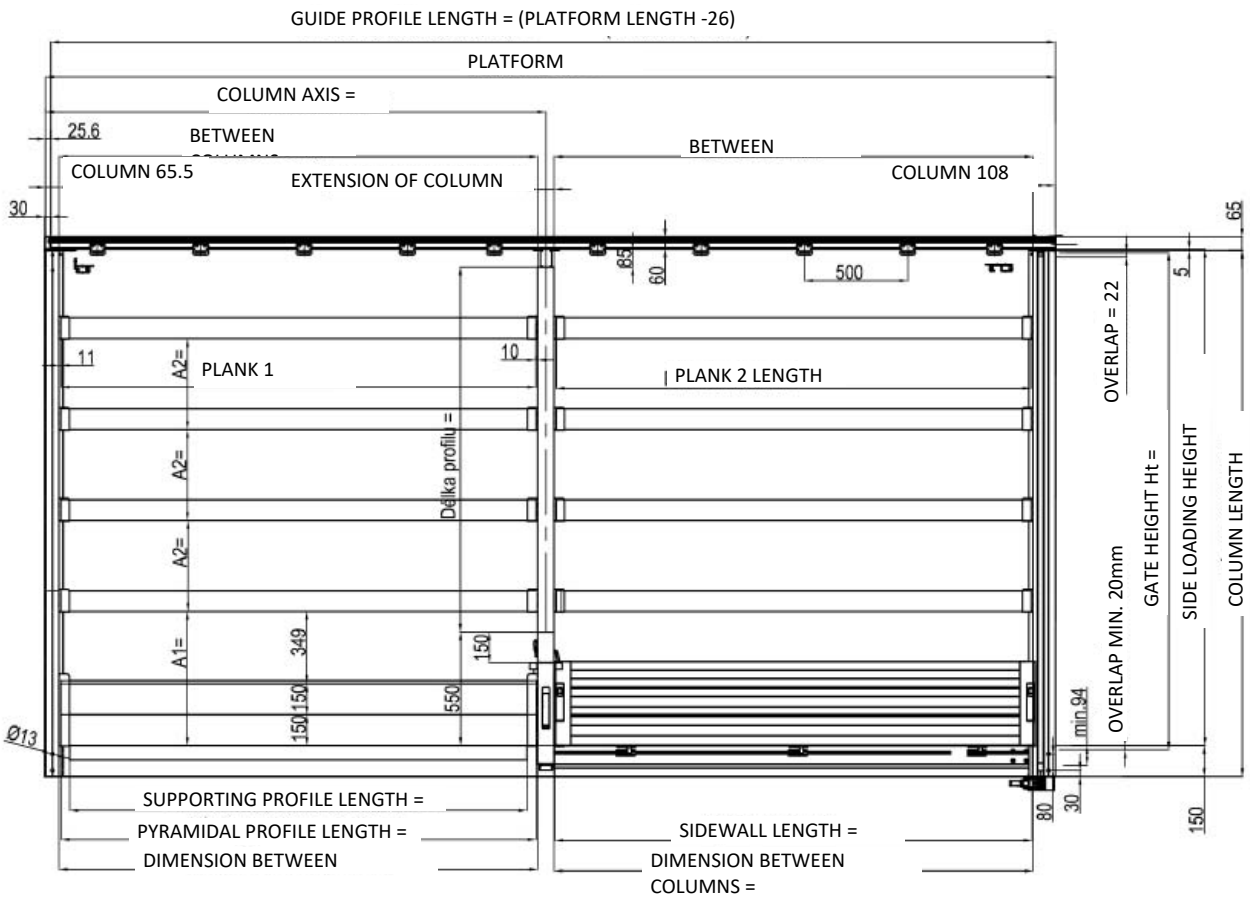
TT-no.	Description	Sketch
<p>0522 109.100 0522 109.200</p>	<p>Canvas stretching gearbox, LEFT, square Canvas stretching gearbox, RIGHT, square</p>	 <p>DESIGN 0522 115.000</p>
<p>0522 110.100 0522 110.200</p>	<p>Canvas stretching gearbox, LEFT, with groove Canvas stretching gearbox, RIGHT, with groove</p>	 <p>DESIGN 0522 109.100</p>
<p>0522 112.000</p>	<p>Stretching gearbox MINI 63x20x30mm</p>	
<p>0522 115.000 0522 116.000</p>	<p>Stretching ratchet with 12mm square piece, front left / rear right Stretching ratchet with 12mm square piece, front right / rear left</p>	<p>DESIGN 0522 110.100</p> 

TT-no.	Description	Sketch
0522 105.000	Gearbox crank / for gearbox 0522 109.xxx a 0522 110.xxx /	
0522 111.000	Gearbox crank / for gearbox 0522 112.xxx	

### 9 3. Stretching ratchet installation



10. Calculation - basic dimensions of fixed roof FIXO-S



## 11. Overview of parts of a platform cat canvas superstructure

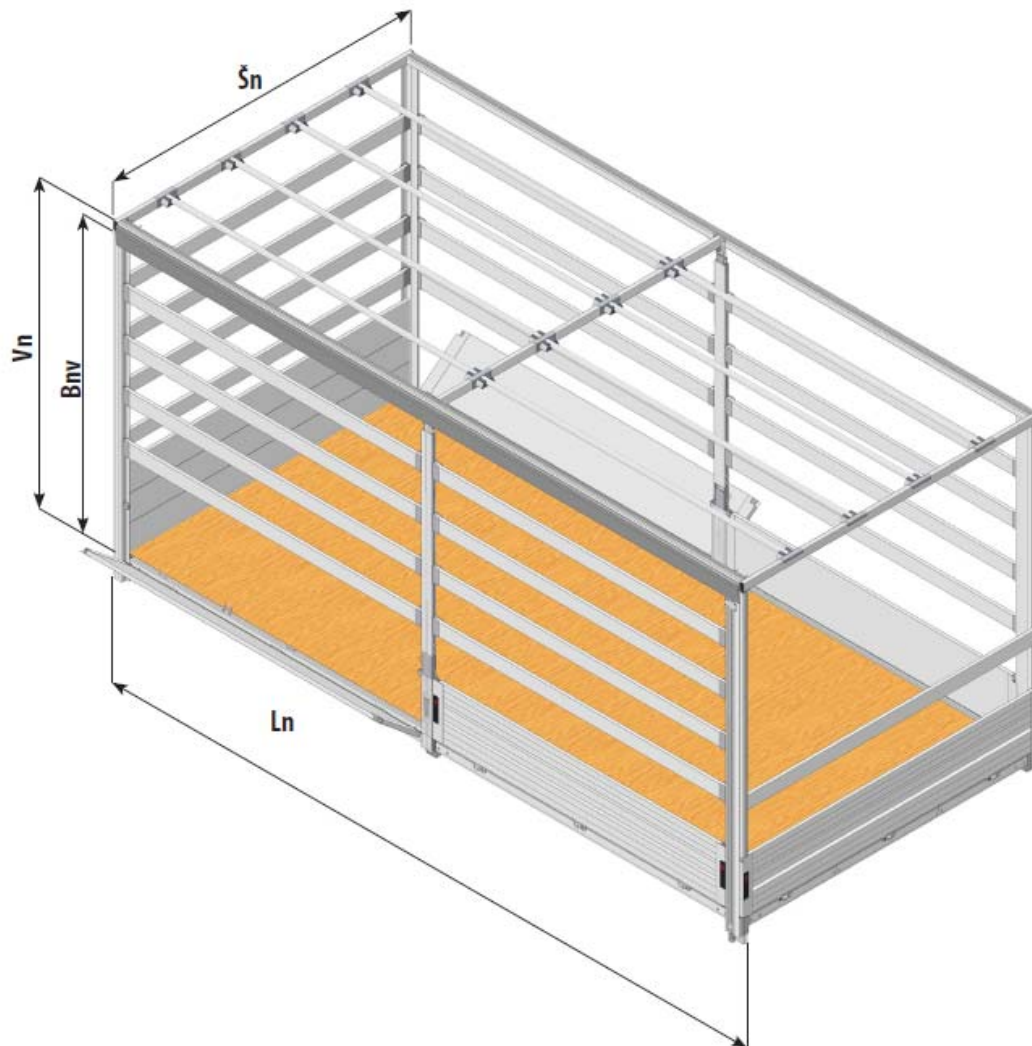
**Ln** = superstructure length, max. **5,000mm**

**Šn** = superstructure outer width

**Vn** = superstructure height, max. **2,460mm**

**Bnv** = Side loading height, max. **2,400mm** – applicable for fixed AL columns

**Lsl** = column length



**Ln** = length of the platform + 35mm

**Šn** = platform width + 2x 35mm

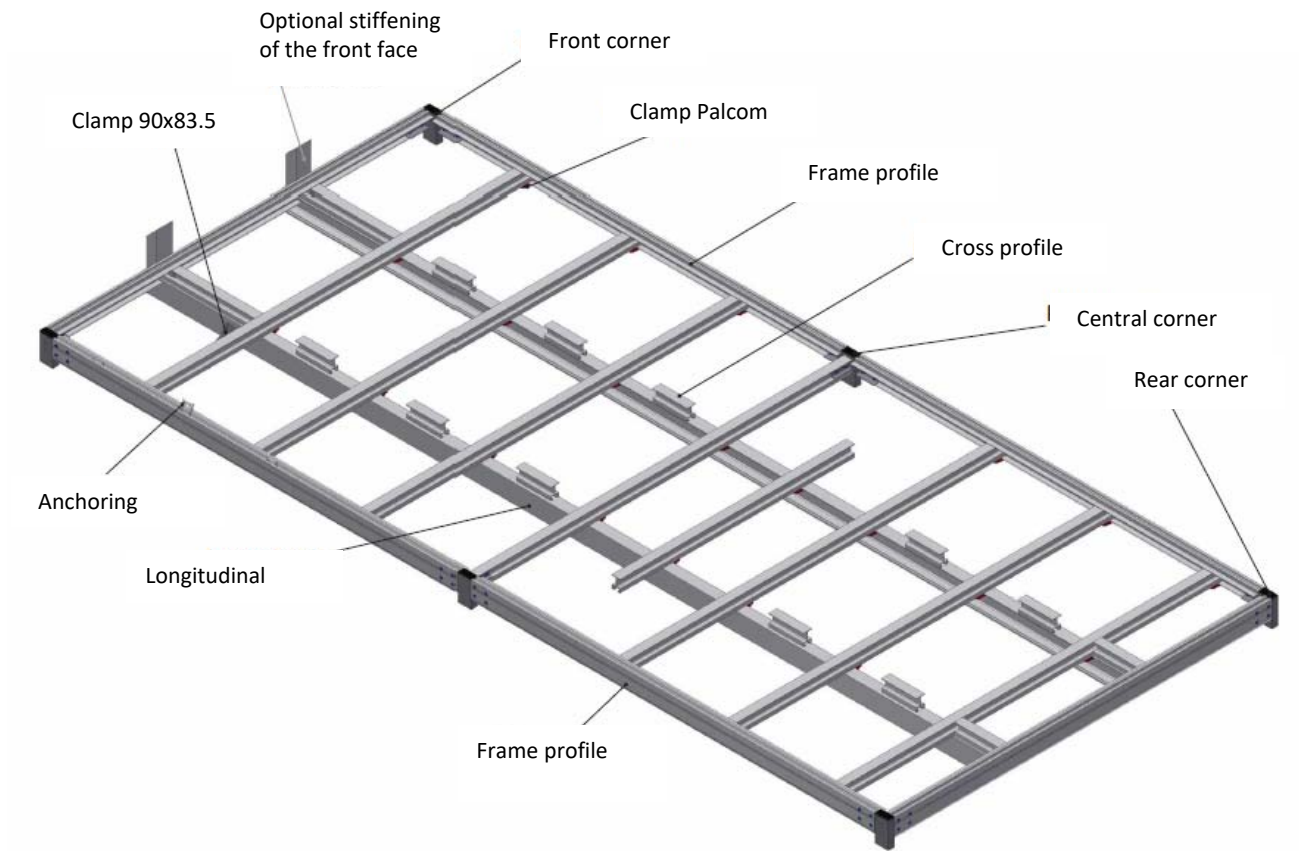
**Vn** = superstructure height, max. 2,460mm.

**Vn** = **Bnv** + 60mm

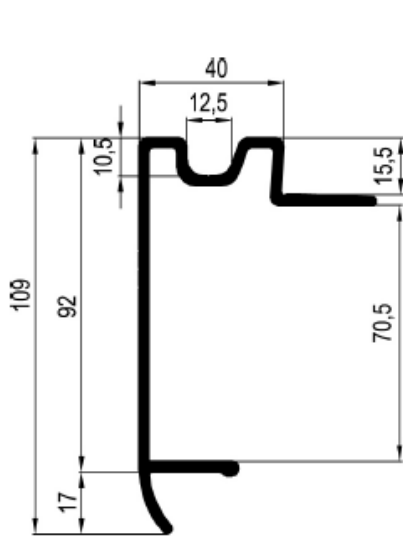
**Lsl** = **Bnv** + 150mm - 5mm

### Aluminium platform components

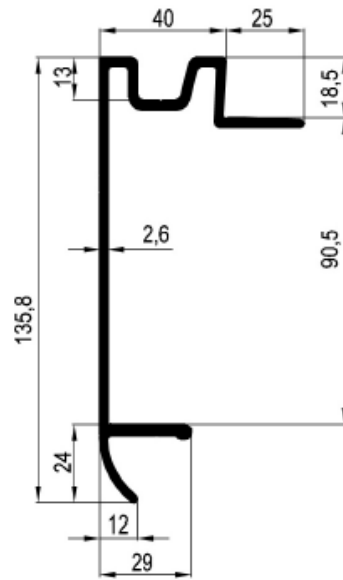
Consisting of longitudinal and cross components, frame profiles, fixing Palcom clamps, steel corners and stiffeners.



11 1. 1. Aluminium platform components - longitudinal and cross components, frame profiles

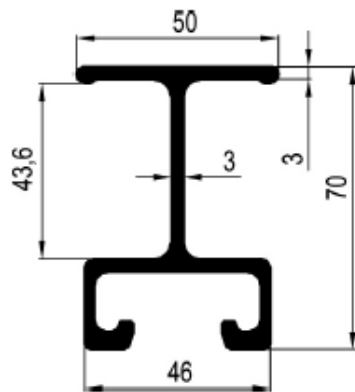


0431 016.000  
0432 016.000

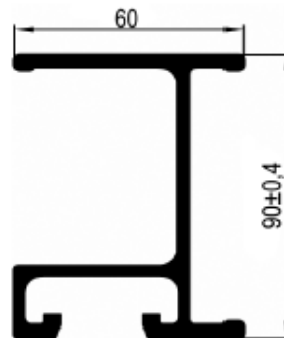


0431 014.000  
0432 014.000

TT-no.	Description	Surface	Material	Weight
0431 016.000	Frame profile with groove 70mm	natural	AlMgSi 0.7	1.64 kg/m
0432 016.000	Frame profile with groove 70mm	anodized		
0431 014.000	Frame profile with groove 90mm	natural	AlMgSi 0.7	1.97 kg/m
0432 014.000	Frame profile with groove 90mm	anodized		

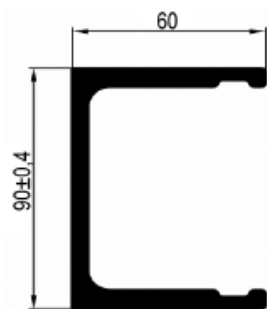


0431 015.000

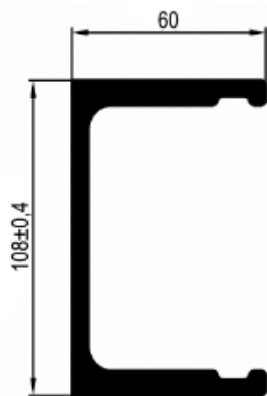


0431 002.000  
0432 002.000

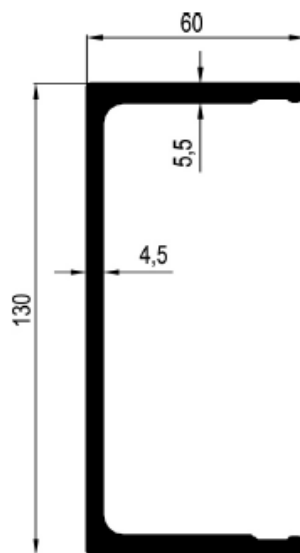
TT-no.	Description	Surface	Material	Weight
0431 015.000	Cross profile 70mm	natural	AlMgSi 0.7	1.73 kg/m
0431 002.000	Cross profile 90mm	natural		
0432 002.000	Cross profile 90mm	anodized		



0431 001.000  
0432 001.000



0431 005.000  
0432 005.000

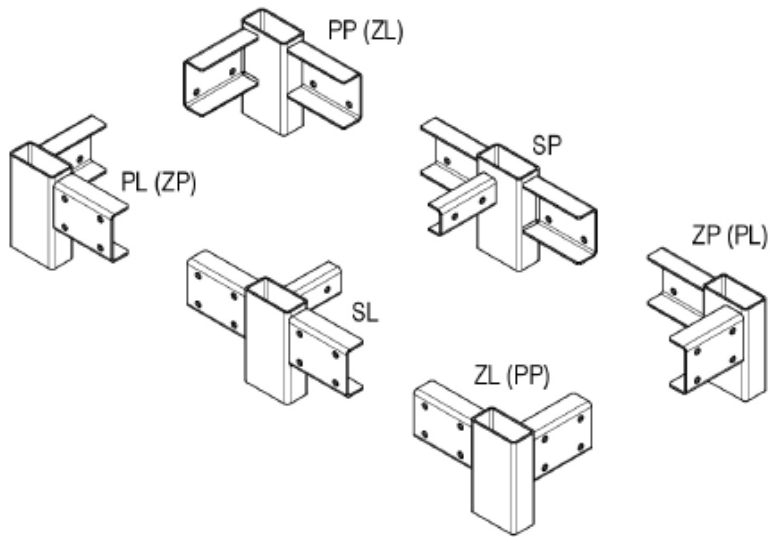


0431 012.000

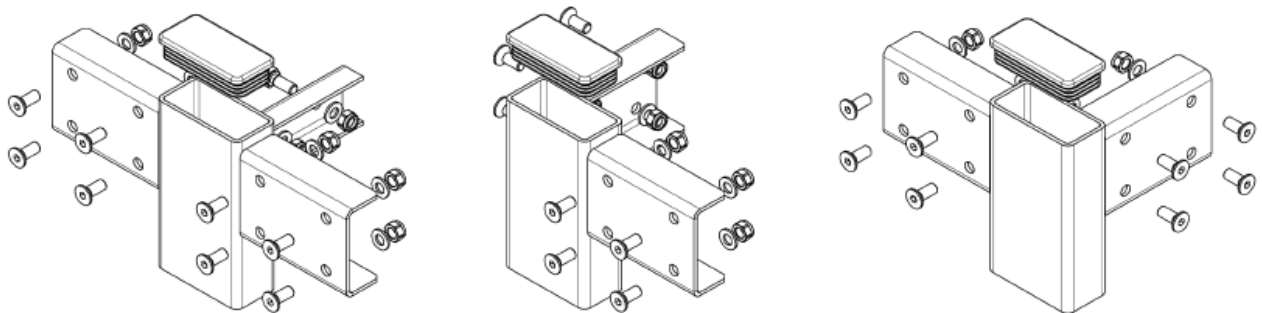
TT-no.	Description	Surface	Material	Weight
0431 001.000	Auxiliary profile 90mm	natural	AlMgSi 0.7	3.13 kg/m
0432 001.000	Auxiliary profile 90mm	anodize d		
0431 005.000	Auxiliary profile 108mm	natural	AlMgSi 0.7	3.37 kg/m
0432 005.000	Auxiliary profile 108mm	anodize d		
0431 012.000	Auxiliary profile 130mm	natural	AlMgSi 0.7	3.20 kg/m



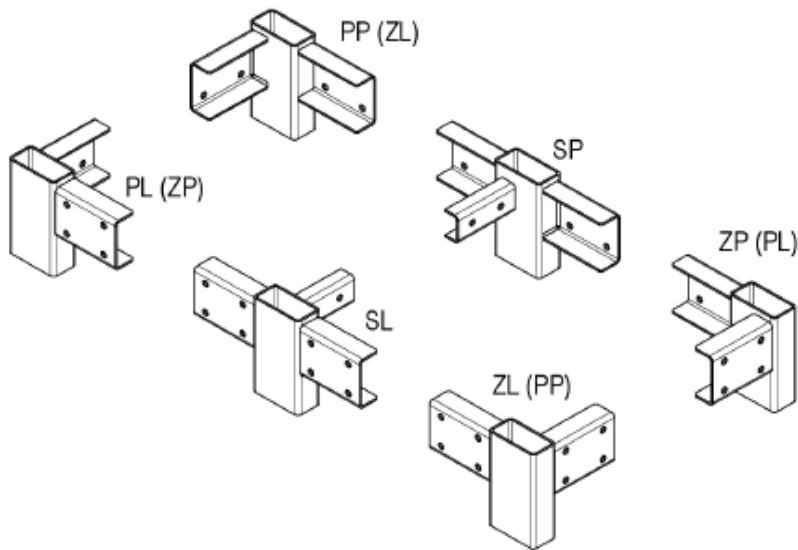
### 11.1.2. Aluminium platform components - assembly corners



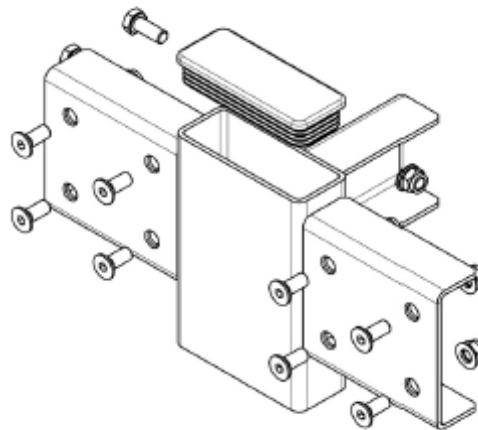
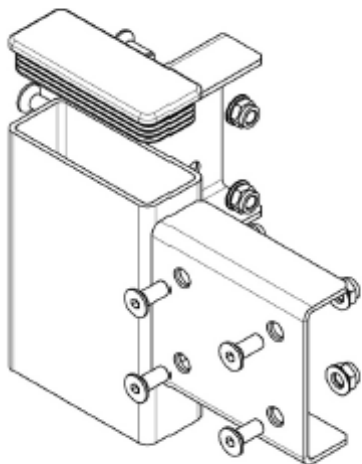
TT-no.	Description	Surface	Weight kg/pc
0433 270.000	Corner FR (RL) 80x40/70, complete	galvanised	1.4
0433 271.000	Corner FL (RR) 80x40/70, complete	galvanised	1.4
0433 274.000	Corner CR 80x40/70, complete	galvanised	1.6
0433 275.000	Corner CL 80x40/70, complete	galvanised	1.6
0433 070.000	Corner FR (RL) 100x40/70, complete	galvanised	1.53
0433 071.000	Corner FL (RR) 100x40/70, complete	galvanised	1.53
0433 072.000	Corner RR 120x40/70, complete	galvanised	1.70
0433 073.000	Corner RL 120x40/70, complete	galvanised	1.70
0433 074.000	Corner central R 100x40/70, complete	galvanised	1.72
0433 075.000	Corner central L 100x40/70, complete	galvanised	1.72

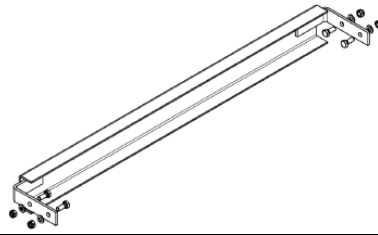


### 11.1.3. Assembly corners for frame profile 90mm



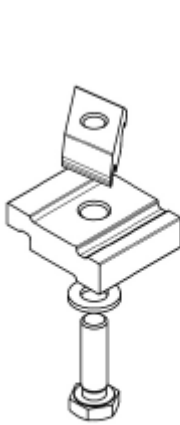
TT-no.	Description	Surface	Weight kg/pc
0433 140.000	Corner FR (RL) 100x40/90, complete	galvanised	1.60
0433 141.000	Corner FL (RR) 100x40/90, complete	galvanised	1.60
0433 142.000	Corner CR 100x40/90, complete	galvanised	1.83
0433 143.000	Corner CL 100x40/90, complete	galvanised	1.83
0433 150.000	Corner FR (RL) 120x40/90, complete	galvanised	1.82
0433 151.000	Corner FL (RR) 120x40/90, complete	galvanised	1.82
0433 152.000	Corner CR 120x40/90, complete	galvanised	2.1
0433 153.000	Corner CL 120x40/90, complete	galvanised	2.1



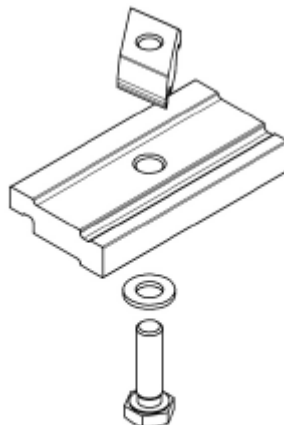


TT-no.	Description	Surface	Weight kg/pc
<b>0433 079.000</b>	Central brace for frame 70mm, complete	galvanised steel	0.8

#### 11.1.4. Platform accessories



**0433 030.000**

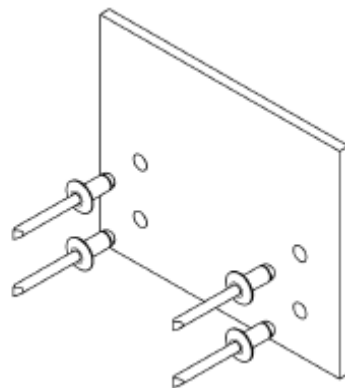


**0433 030.100**

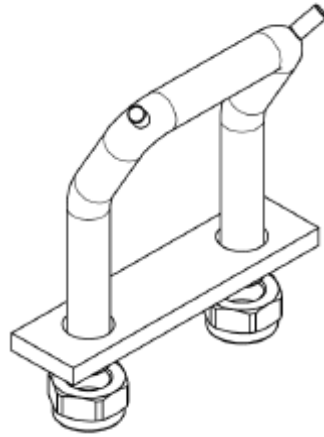


**0433 033.000**

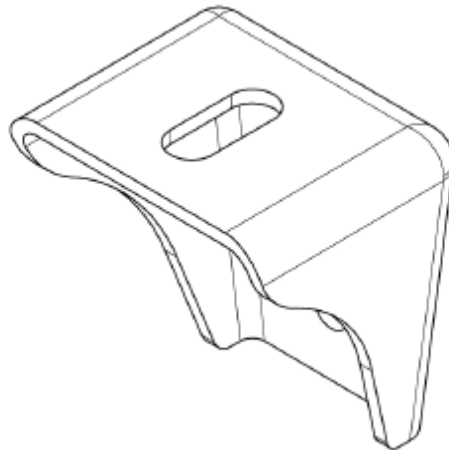
TT-no.	Description	Surface	Weight kg/pc
<b>0433 030.000</b>	Clamp Palcom L=44mm, complete	Al natural	0.12
<b>0433 030.100</b>	Clamp Palcom L=100mm, complete	Al natural	0.3
<b>0433 033.000</b>	Clamp Palcom upper+ bolt M10x25, washer	Al natural	0.09



TT-no.	Description	Surface	Weight kg/pc
<b>0433 079.000</b>	Front face stop 120x100, thickness 4.5	Al natural	0.8



TT-no.	Description	Surface	Weight kg/pc
0911 022.000	Anchoring shackle with thread M10	galvanised steel	0.2

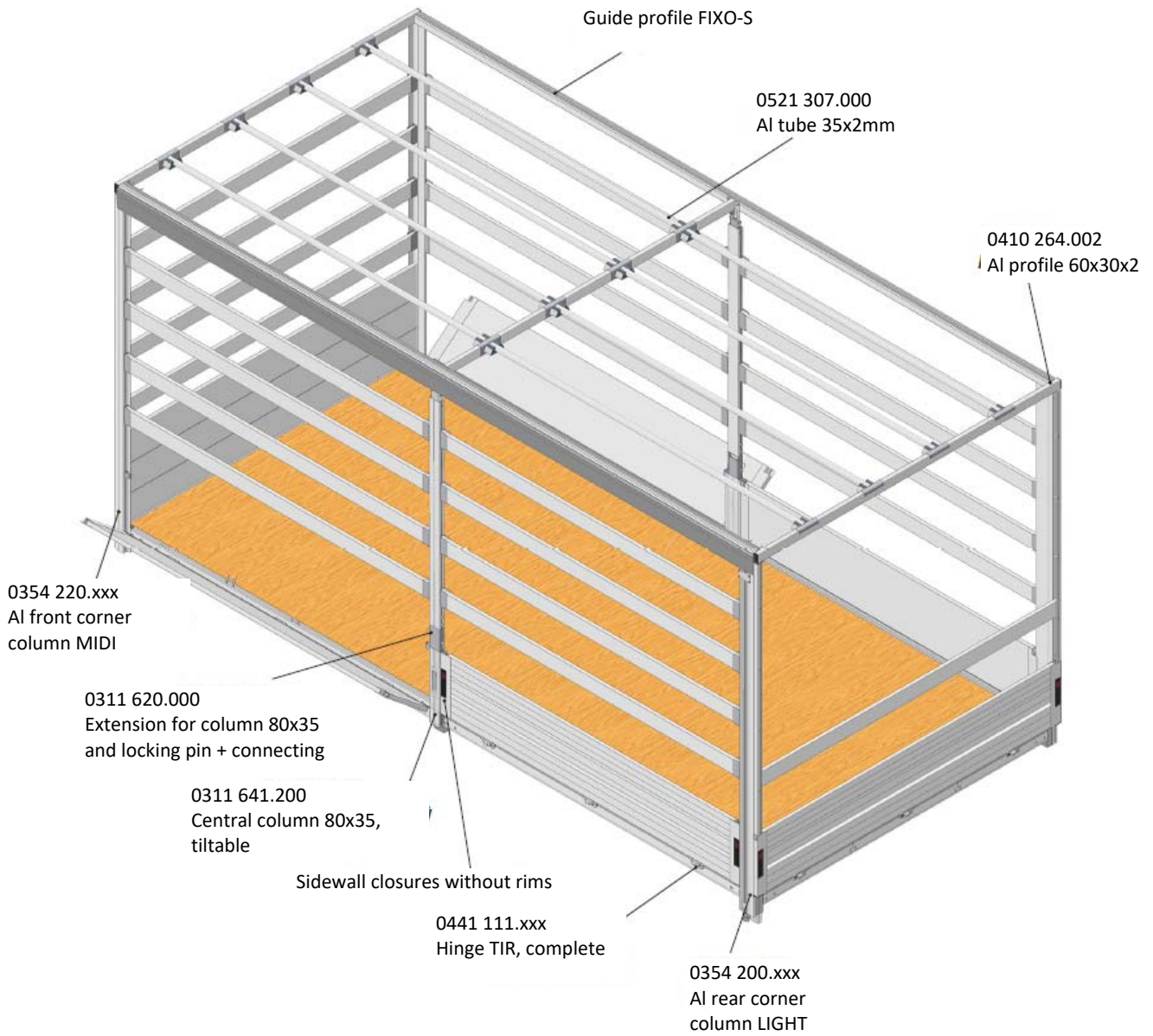


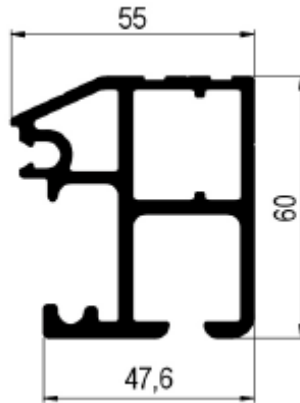
TT-no.	Description	Surface	Weight kg/pc
0831 012.000	Clamp 90x83.5x4	galvanised	0.45



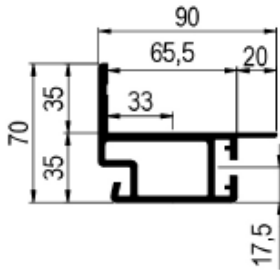
TT-no.	Description	Surface	Weight kg/pc
0831 030.002	Clamp spring	galvanised	0.04
0831 030.003	Clamp spring bracket	galvanised	0.02

## 11. 2. Components for the canvas structure

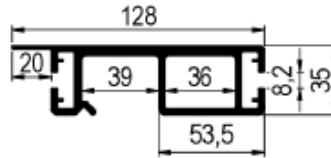




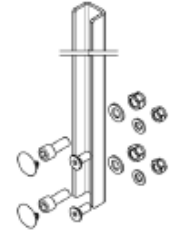
TT-no.	Description	Surface	Weight kg/pc
0537 021.050	Guide profile FIXO-S, L = 5.0m	Al natural	11.1



0354 220.000  
0354 220.100

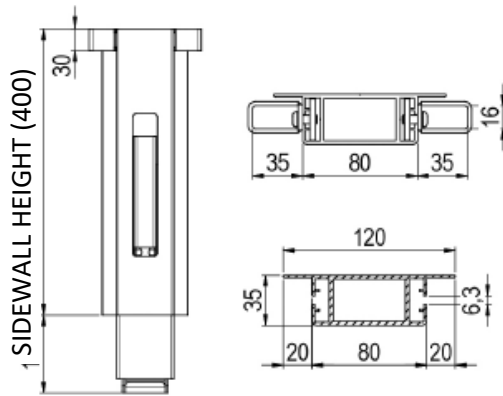


0354 200.000  
0354 200.100



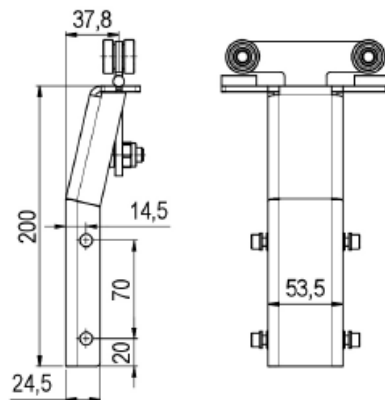
0354 200.200

TT-no.	Description	Material	Length	Weight kg/m
0354 200.000	Rear column Al 128x35mm	Al natural		3.16
0354 200.100	Rear column Al 128x35mm	Al anodized		3.16
0354 220.000	Front column 90/70x35mm	Al natural		2.58
0354 220.100	Front column 90/70x35mm	Al anodized		2.58
				kg/pc
0354 200.200	Assembly set for the frame	galvanised		0.9



0311 302.000

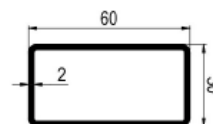
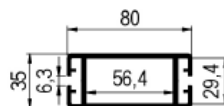
TT-no.	Description	Surface	Weight kg/pc
0311 641.200	Central column 80x35, tiltable, + pocket + lugs + connecting material	Al anodized	2.8
0311 302.000	Assembly set - connecting material for tiltable columns 80x33 (for 2 columns)	Al natural	



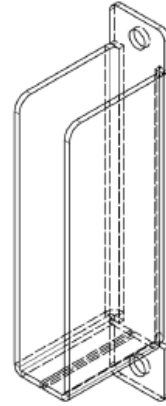
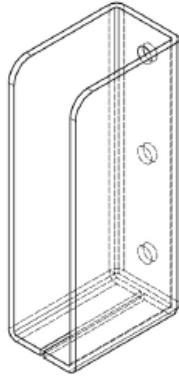
0522 032.000  
Guide wheel for the ND column

0538 509.000  
0538 509.100

TT-no.	Description	Surface	Weight kg/pc
0538 509.000	Slider of the central column VERSUS MYCRO Trike for 60x35mm, for non-lifting roof	galvanised steel	2.1
0538 509.100	Slider of the central column VERSUS MYCRO, for 80x35	galvanised steel	2.1



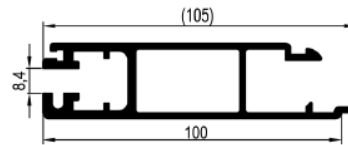
TT-no.	Description	Surface	Weight kg/pc
0354 340.000	Al column 80x35mm without rim, central	Al natural	
0410 264.002	Al profile 60x30x2mm, R3	Al natural	



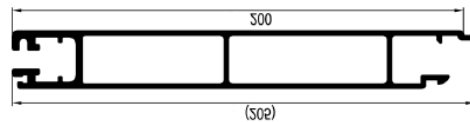
TT-no.	Description	Surface	Weight kg/pc
0521 372.025	Pocket for the canvas structure 25mm, riveting, 50x110mm	galvanised steel	0.28
0521 373.125	Pocket for the canvas structure 25mm, screw. M6 set, 50x110mm	galvanised steel	0.29
0521 378.025	Pocket for the canvas structure 18mm, riveting, 50x100mm	galvanised steel	0.26
0521 378.125	Pocket for the canvas structure 18mm, screw. M6 set, 50x100mm	galvanised steel	0.27

### 11 3. Sidewall profiles, under-canvas profiles

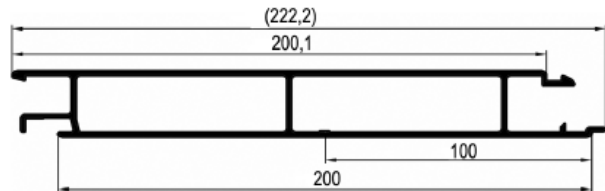
Lower profile 100mm for sealing			
TT-no.	Surface	Material	Weight
0411 002.000	natural	AlMgSi 0.5	1.60 kg/m



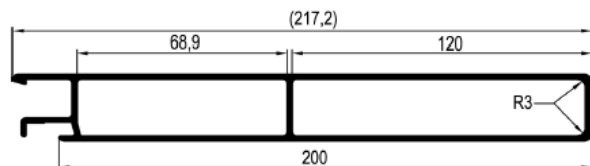
Lower profile 200mm for sealing			
TT-no.	Surface	Material	Weight
0411 004.000	natural	AlMgSi 0.5	2.67 kg/m
0412 004.000	anodized		



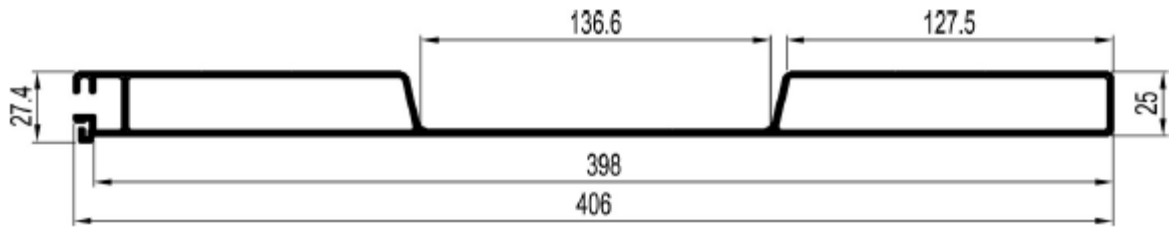
Central profile 200mm			
TT-no.	Surface	Material	Weight
0411 024.000	natural	AlMgSi 0.5	1.90 kg/m
0412 024.000	anodized		



Upper profile 200mm			
TT-no.	Surface	Material	Weight
0411 051.000	natural	AlMgSi 0.5	2.52 kg/m
0412 051.000	anodized		

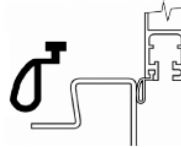




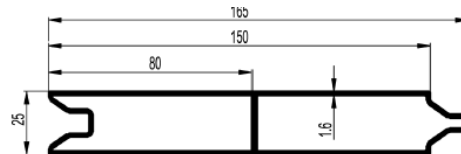


Canvas profile 406mm			
TT-no.	Surface	Material	Weight
0411 104.000	natural	AlMgSi 0.5	4.25 kg/m
0412 104.000	anodized		

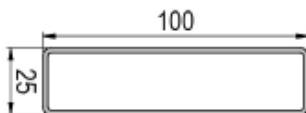
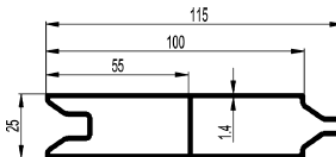
Sidewall sealing		
TT-no.	Material	Weight
0413 002.000	PVC	0.10 kg/m



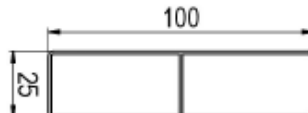
Auxiliary profile 150mm			
TT-no.	Surface	Material	Weight
0411 091.000	natural	AlMgSi 0.5	1.7 kg/m
0412 091.000	anodized		



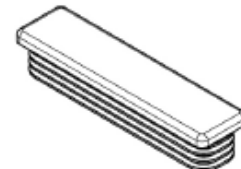
Auxiliary profile 100mm			
TT-no.	Surface	Material	Weight
0411 092.000	natural	AlMgSi 0.5	1.1 kg/m



0411 093.000



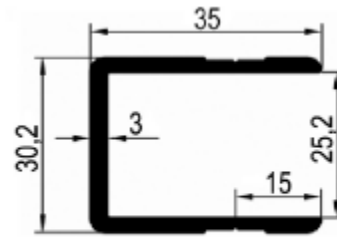
0411 094.000



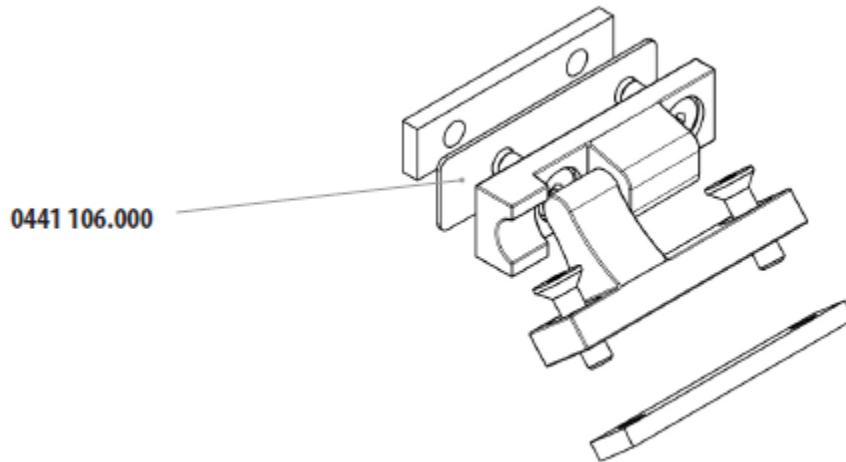
0413 093.000

TT-no.	Description	Material	Weight
0411 093.000	Under-canvas profile 100x25	aluminium	1.18 kg/m
0413 093.000	Plug to profile 100x25	PU	0.08 kg/pc
0411 094.000	Under-canvas profile 100x25, lightweight, with crossbar	aluminium	0.87 kg/m

Skirting U-profile			
TT-no.	Surface	Material	Weight
0411	natural	AlMgSi 0.5	0.70 kg/m
0412	anodized		



TT-no.	Description	Material	Length	Weight kg/pc
<b>0441111.00</b>	Hinge TIR. complete, for profile 406mm	galvanised steel		0.6
<b>0441 106.000</b>	Distance pad under hinge TIR 88/25/50	galvanised steel		



## **Warranty and spare parts**

Our parts are covered with a 24-month warranty according to the law, i.e. from the delivery date. The warranty covers any faults and failures of our parts and structures. The warranty relates to replacement of parts considered as faulty. The warranty is rejected in case when the purchaser or any third party modifies or repairs the delivered goods without prior consent of our company or in case of improper use or bad maintenance

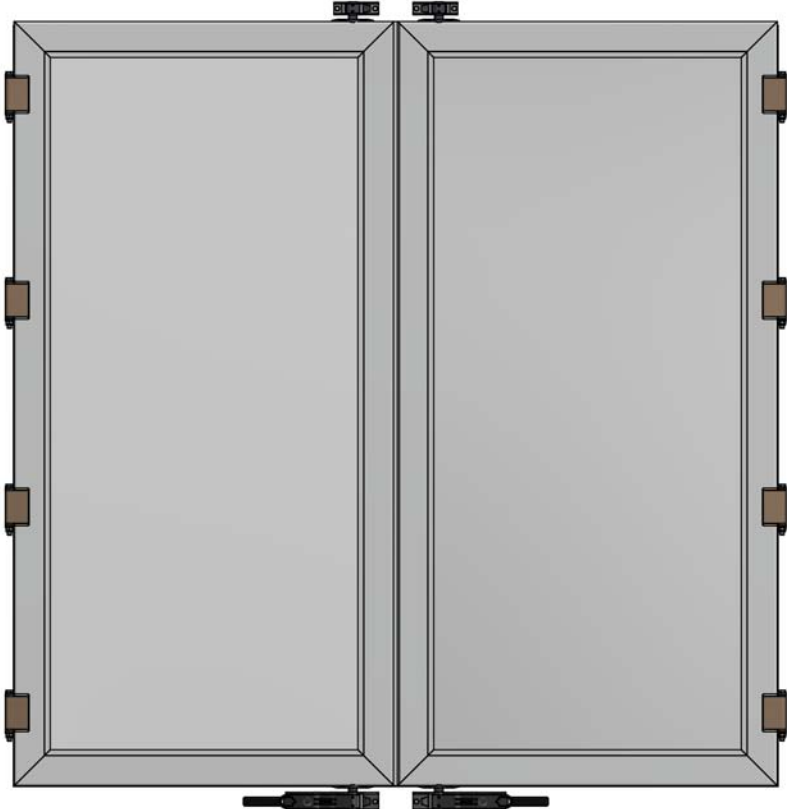
We recommend to use canvas with specific weight at least 900 g/m<sup>2</sup> for our superstructures.

### *Note*

*The manufacturer reserves the right to make changes in the technical documentation and in the structure or accessories of Versus Omega. These parts were tested in view of their safety and functionality. Versus Omega is not responsible for any damage or injury caused by use of non-original spare parts and accessories.*

Delivery and handover of spare parts and accessories provides:  
TRANS-TECHNIK spol. s r.o., Tyršova 1146, 664 42 Modřice

Manual for ordering, installation and use of TT gate



**Division of gates, designs and basic dimensions for ordering of gates.**

Rear gate can be in the following designs: - double-leaf - double-closure - four-closure  
 - four-leaf

- the closures are outer or with flushed closures upon request.  
 - gate material: Al natural - Al anodized - Al varnished - Al frame + panel.

Rear gate made of Al profiles with sealing along perimeter and rubber sealing across the centre.

Surface natural and varnished - gate profiles and panels are welded in corners on both sides + Al panels welded from inside (at the top, in the centre and at the bottom).

Designs with anodized surfaces and panels - gate welded in corners from inside. The design with anodized surfaces - the filling panels are welded from inside (at the top, in the centre and at the bottom). The gate panels are glued in the frame profile from outside.

The hinges are made of steel, standardly screwed; also available with welding on or Al riveting (natural or anodized) hinges.

This gate design guarantees high strength, stiffness and therefore long lifespan.

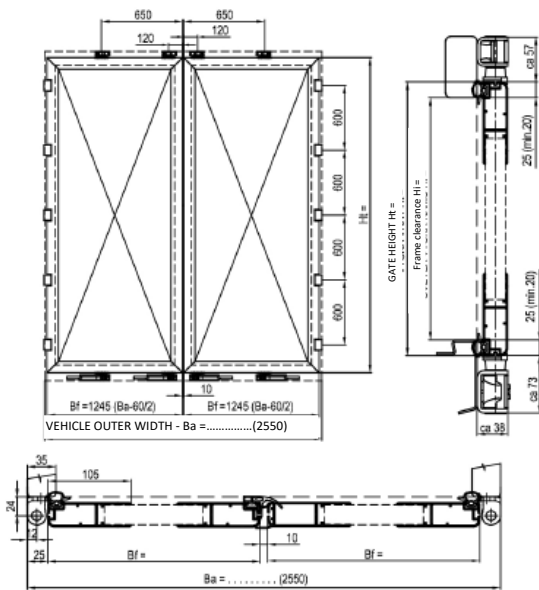
**Dimensions for ordering of gates:**

When ordering gates, specify dimensions: **Ba x Ht (mm) = (Vehicle outer width x gate height).**

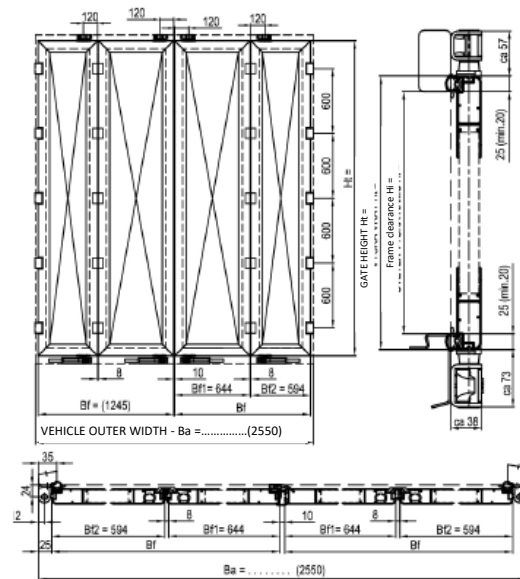
Recommended overlap of the frame and upper portal = 25mm (min. 20mm), see the picture below.

Warning: The gate is provided with a label in its lower corner for easy identification.

**Double-leaf gate  
 basic dimensions**



**Four-leaf gate  
 basic dimensions**



VEHICLE OUTER WIDTH - Ba =	VNĚJŠÍ ŠÍŘKA VOZIDLA – Ba =
GATE HEIGHT Ht =	VÝŠKA VRAT Ht =
Frame clearance Hi =	SVĚTLÁ VÝŠKA RÁMU Hi =

## Gate installation - main principles:

*Thickness of the column for installation of a gate min. 35mm (due to function of the sealing).*

1. Spacing of the hinges is 600mm. Gate shall be located so that the upper and lower overlap of the frame (portal) is min. 20mm, recommended 25mm.

The hinges (welded on, screwed) shall be located so the hinge outer edge is aligned with the outer edge of the column. The hinge "recess" should face to the superstructure outer dimension. See the picture.

Screwed closure: each hinge is fixed using two M8 bolts, strength 8.8.

Welded on hinges: the weld shall be located in the "recessed" part of the hinge, on its outer side (at the bend).

Riveted hinge should be fixed over the column corner by rivets dia. 6,4 x length (acc. to the column wall thickness).

The way of riveting: 1 rivet in the hinge centre, 1 rivet above and under the hinge; applies for each hinge.

***ATTENTION!! In case of steel (screwed and welding on) hinges do not tighten the screw M12x140. Tightening - lamping - of the gate joint causes bad causes bad function of the hinge and may lead to sweeping and damage to the sealing.***

2. Check the so-called pusher for its damage or knocking off after installation or due to improper use; this component has to protect sealing against sweeping, so sealing of the gate against water in the loading area. The pusher can be installed or replaced easily in case of its loss or damage.

3. We recommend to install a drip mould over each gate to prevent flowing of water from the roof onto the gate.

column edge = hinge edge

Column thickness 35

VEHICLE OUTER WIDTH Ba

## Use of gates


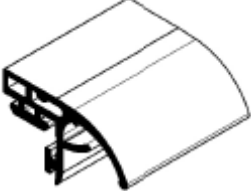
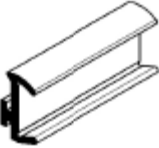


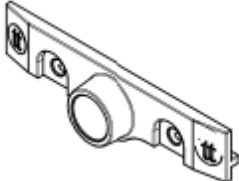

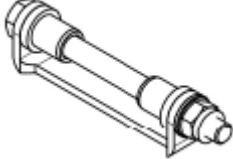
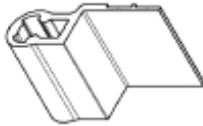


1. **!!! The gate shall be braced diagonally during operation - the journey. !!!!**

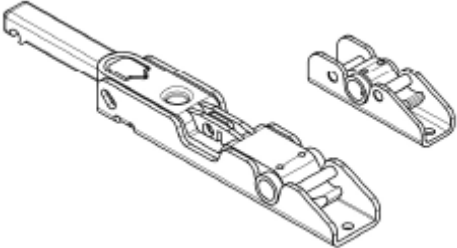
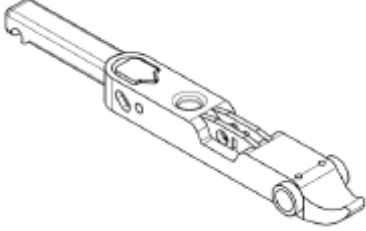
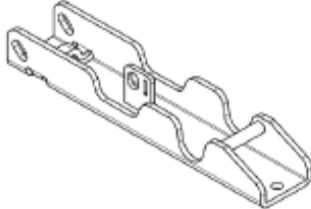

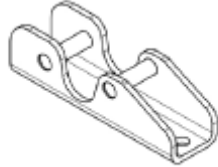





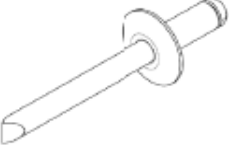
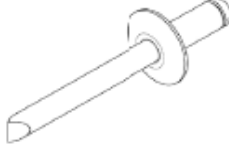
2. **The gate shall be secured i open position using the gate bracket.**
  - do not drive with open gate.
  - . before the journey check whether the upper and lower closures are in closed positions.
  - secure the load against any displacement. The load shall not be in contact with the gate.
  - . Check presence of the gate pusher (located at the gate bottom corner).

**Basic spare parts for gates**

TT-no.	Description	Sketch
0512 026.000	Peripheral sealing	
0512 027.000	Central sealing 2K	
0512 028.000	Central sealing 4K	
0512 032.100	Pusher	
0512 030.000	Hinge 2K sleeve	
0512 034.000	Guide	
0512 050.000	Bolted gate hinge	
0512 053.000	Welding on gate hinge	
0512 019.xxx 0512 020.xxx	Welding on gate hinge Al natural Al anodized	

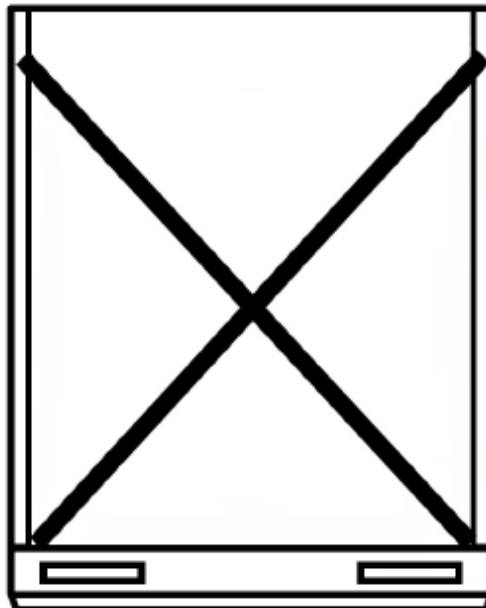


TT-no.	Description	Sketch
0512 035.000	Gate closure 18mm, complete	
0512 035.110	Lower closure lever	
0512 035.120	Closure lever counterpiece	
0512 035.210	Upper closure finger	
0512 035.220	Upper closure counterpiece	
0512 039.000.	Closure rod 18mm - 3,300mm	

TT-no.	Description	Sketch
0991 041.204	Clamping set, strip, width 35mm	
0911 001.100	Anchoring lug with shackle 750kg, galvanised	
2111 464.165	Rivet 6.4x16 S = 5.5-8.5mm; used in the upper part of the column	
2111 464.181	Rivet 6.4x18 S = 9-12mm Used in the lower part of the column in the chamber with the stiffener	

The gate shall be provided with a label showing information about necessity of bracing

**THE GATE SHALL BE BRACED!**



**REAR DOORS MUST BE FIXED WITH TENSION STRAPS**